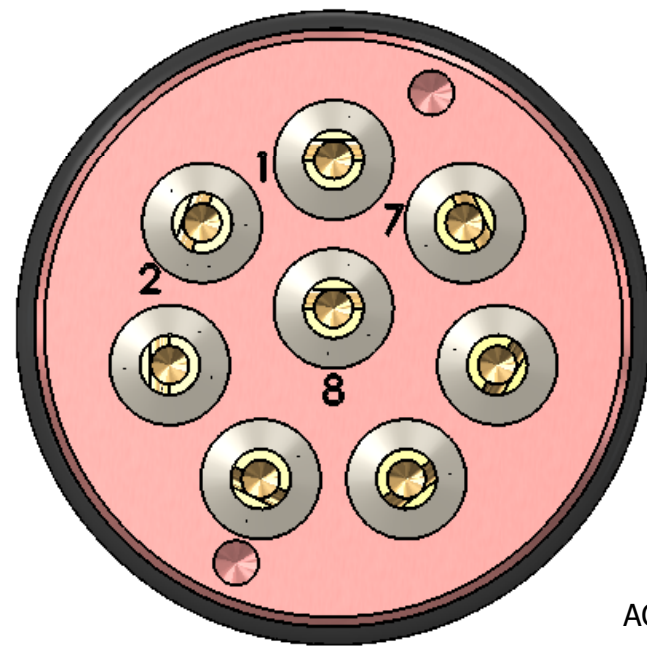


D

← **PRESSURE**

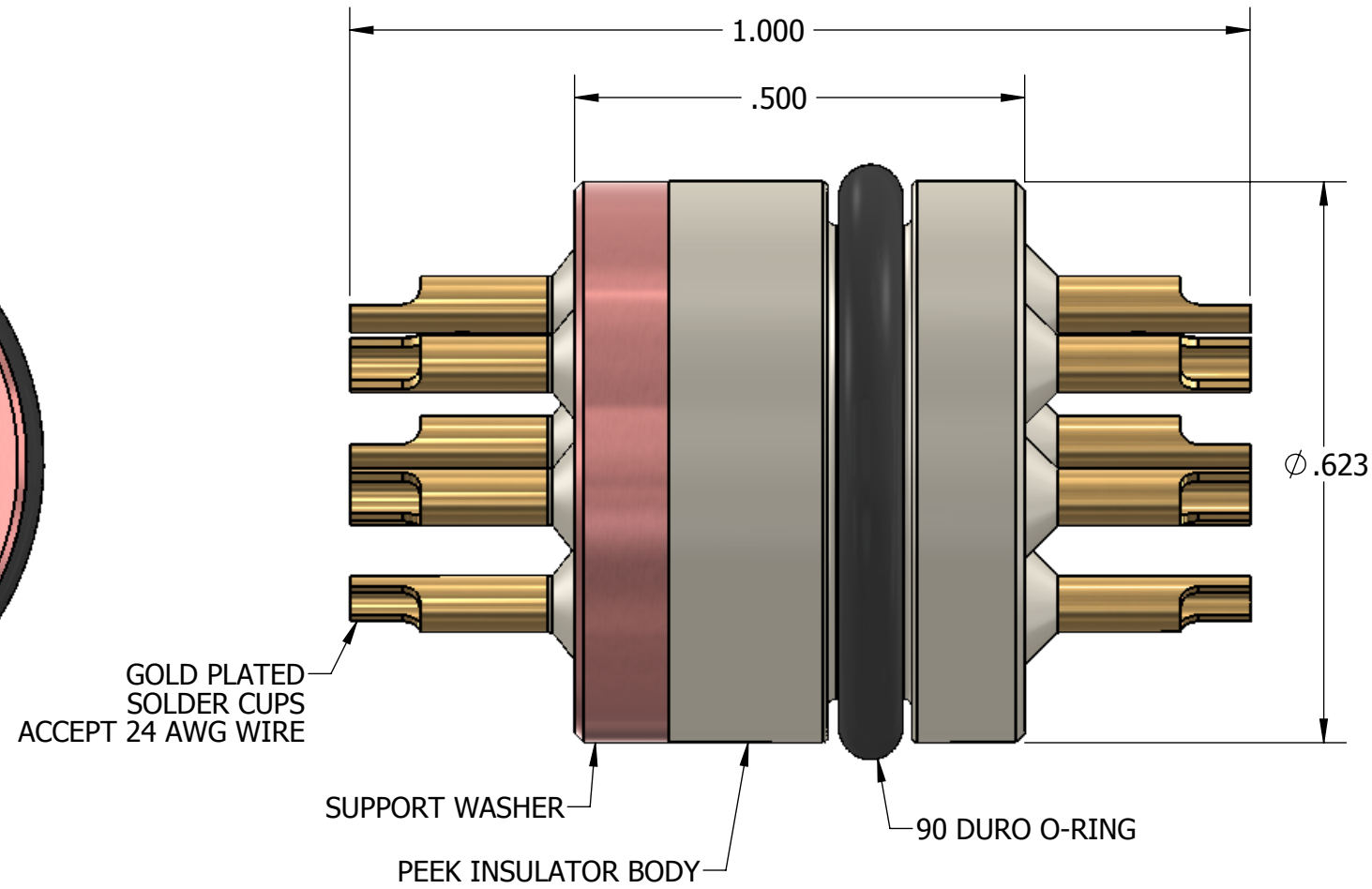
D

C

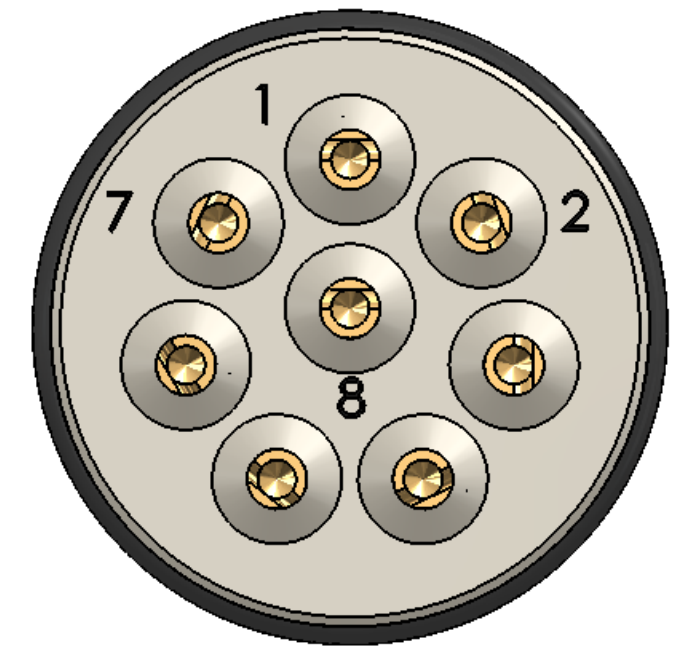


C

B



B



A

PROPERTIES:

1. TEMPERATURE RATING: 392°F (200°C)
CURRENT: 2 AMPS MAX
INSULATION RESISTANCE = 500M Ω @ 500VDC
2. PRESSURE RATING: 20 KSI
3. CONTACTS ARE GOLD PLATED PER CANYON SPEC: QP-ENG-7.4-001 CURRENT REVISION.



TITLE: CONNECTOR, 8-PIN BULKHEAD, 24 AWG
X 24 AWG SOLDER CUP, CENTER PIN,
.625 DIA, PIN MOUNT
925-0009-02

8

7

6

5

4

3

2

1

8

7

6

5

4

3

2

1