

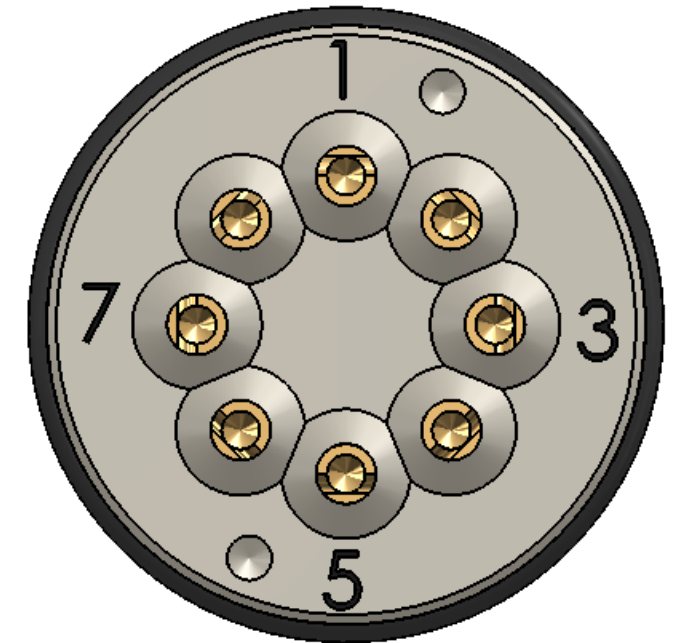
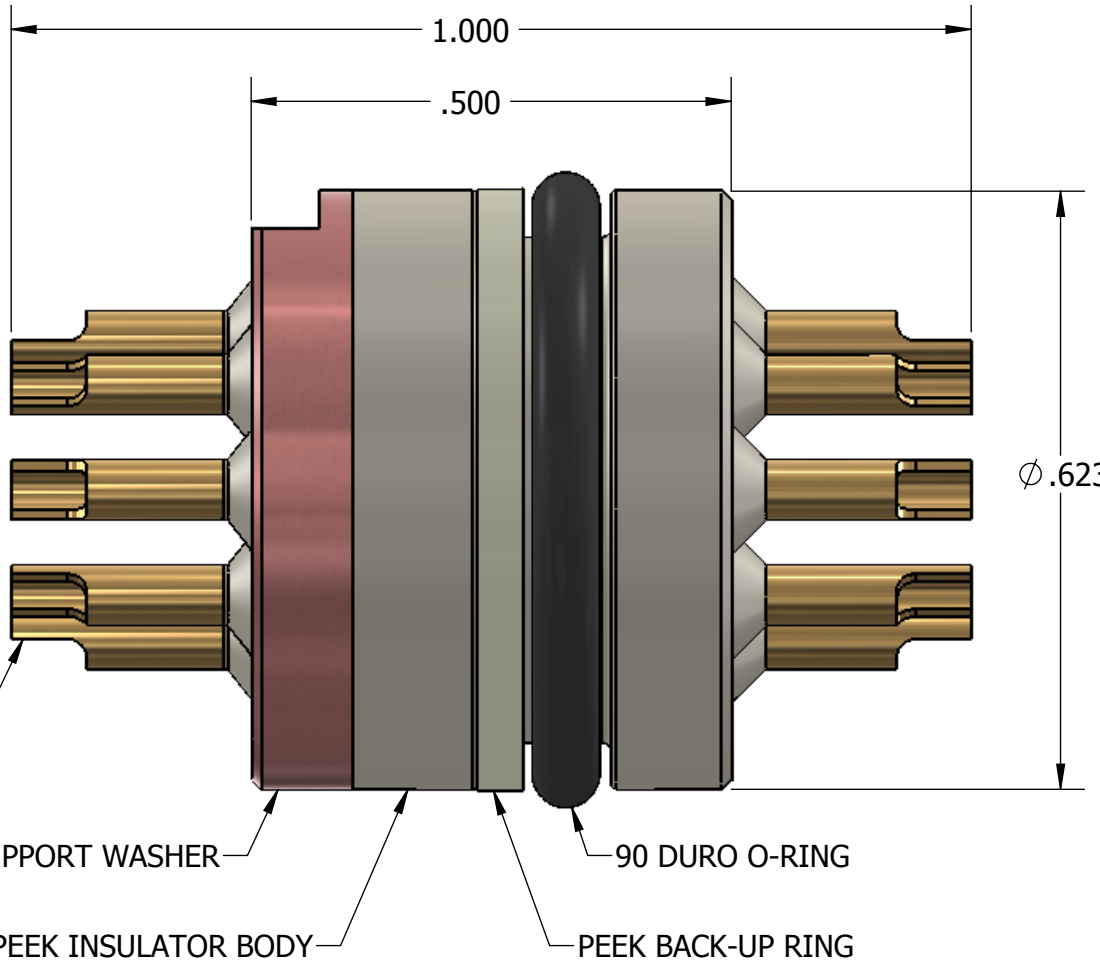
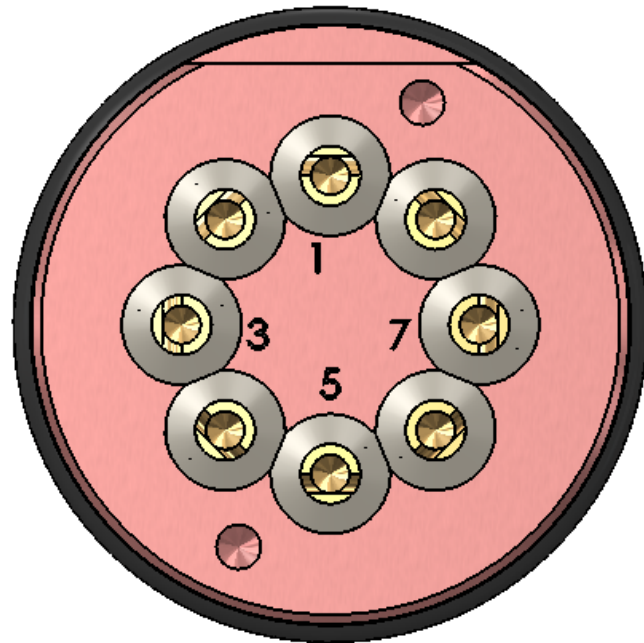
D

← **PRESSURE**

C

B

A



D

C

B

A

**PROPERTIES:**

1. TEMPERATURE RATING: 392°F (200°C)  
CURRENT: 2 AMPS MAX  
INSULATION RESISTANCE = 500M Ω @ 500VDC
2. PRESSURE RATING: 20 KSI
3. CONTACTS ARE GOLD PLATED PER CANYON SPEC: QP-ENG-7.4-001 CURRENT REVISION.



**TITLE:** CONNECTOR, 8 PIN BULKHEAD,  
24 AWG x 24 AWG SOLDER CUP  
x .625DIA, w-BACKUP RING,  
FLAT MOUNT  
925-0350-03

8

7

6

5

4

3

2

1

8

7

6

5

4

3

2

1