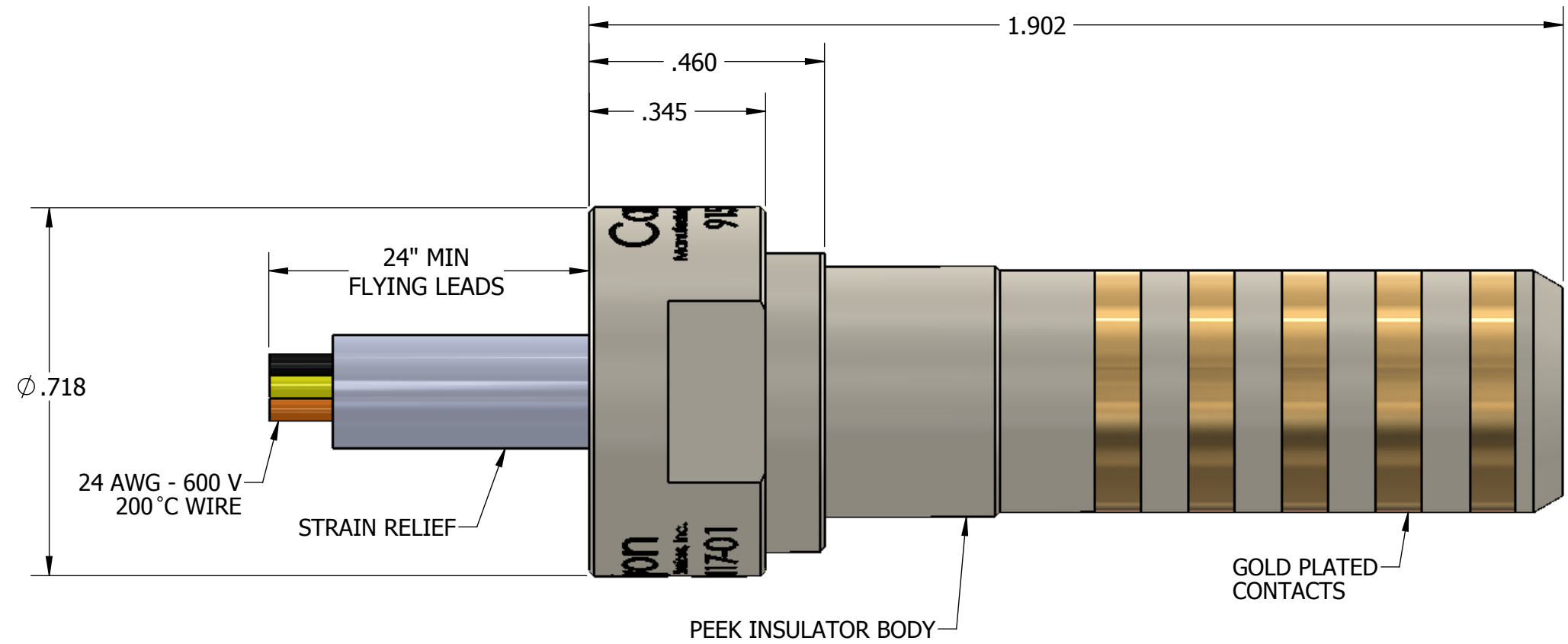


| WIRING DIAGRAM |           |        |            |
|----------------|-----------|--------|------------|
| CONTACT        | WIRE SIZE | COLOR  | MIN LENGTH |
| A              | 24 AWG    | BLACK  | 24"        |
| B              | 24 AWG    | BROWN  | 24"        |
| C              | 24 AWG    | RED    | 24"        |
| D              | 24 AWG    | ORANGE | 24"        |
| E              | 24 AWG    | YELLOW | 24"        |



**PROPERTIES:**

- TEMPERATURE RATING: 392°F (200°C)  
CURRENT: 2 AMPS MAX  
INSULATION RESISTANCE = 500M  $\Omega$  @ 500VDC
- CONTACTS ARE GOLD PLATED PER CANYON SPEC: QP-ENG-7.4-001 CURRENT REVISION.
- INSERTION TESTING: 5000 CYCLES ROTATING @ 5 RPM'S.
- HALT TESTING:  
COLD STEP STRESS, HOT STEP STRESS, RAPID THERMAL CYCLE,  
VIBRATION STEP STRESS & COMBINED THERMAL AND VIBRATION.  
ENVIRONMENTAL CONDITIONS OF HALT TESTING:  
TEMPERATURE RANGE: -40°C TO +200°C  
VIBRATION: UP TO 80 Grms



TITLE:  
ASSEMBLY, 5 CONDUCTOR, MALE  
915-0117-01