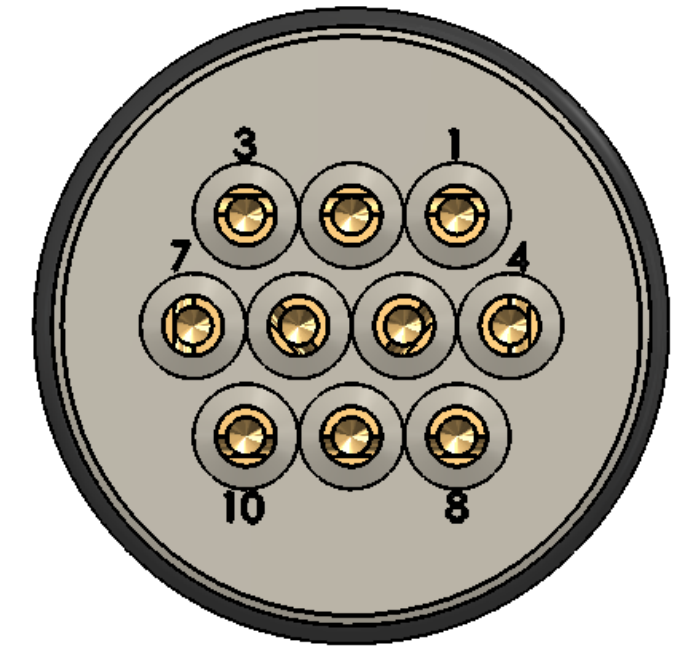
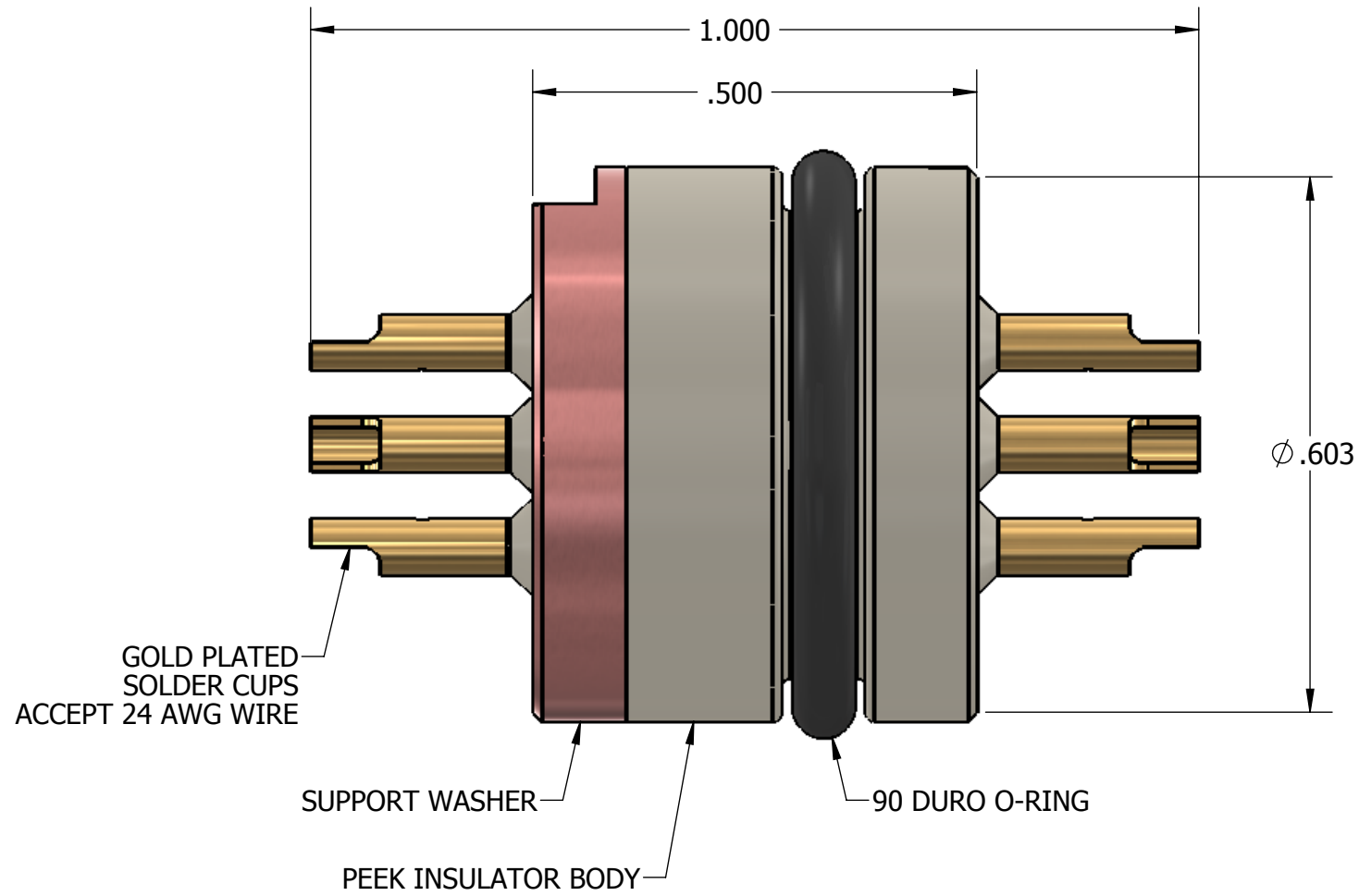
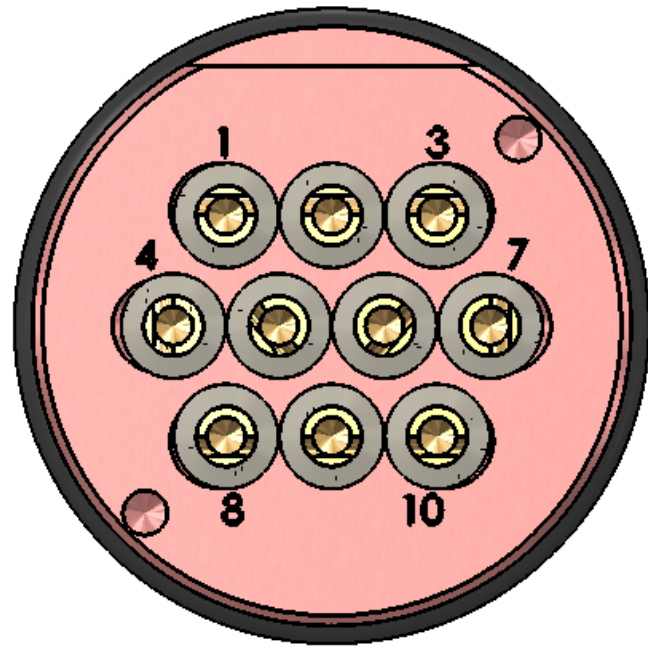


← **PRESSURE**



**PROPERTIES:**

1. TEMPERATURE RATING: 392 °F (200 °C)  
CURRENT: 2 AMPS MAX  
INSULATION RESISTANCE = 500M Ω @ 500VDC
2. PRESSURE RATING: 20 KSI
3. CONTACTS ARE GOLD PLATED PER CANYON SPEC: QP-ENG-7.4-001 CURRENT REVISION.



**TITLE:** CONNECTOR, 10 PIN, 24 AWG x 24 AWG SOLDER CUP, .625 DIA, FLAT MOUNT

925-0260-01