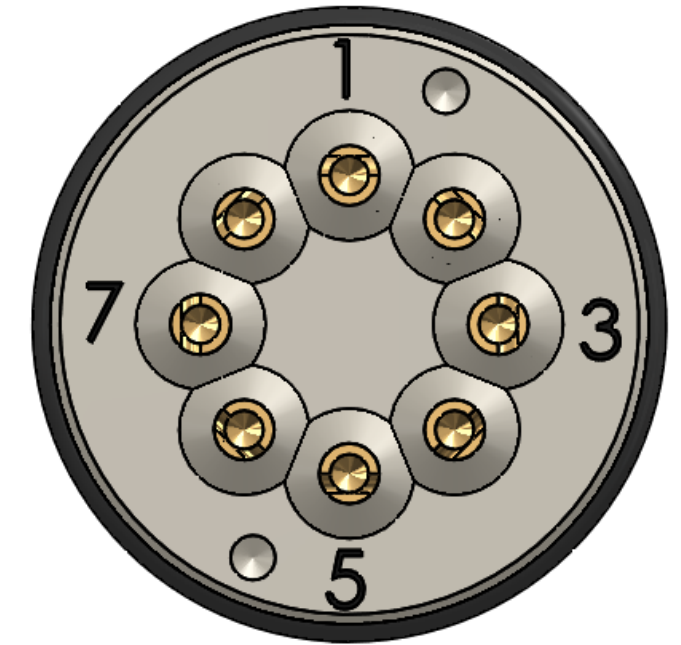
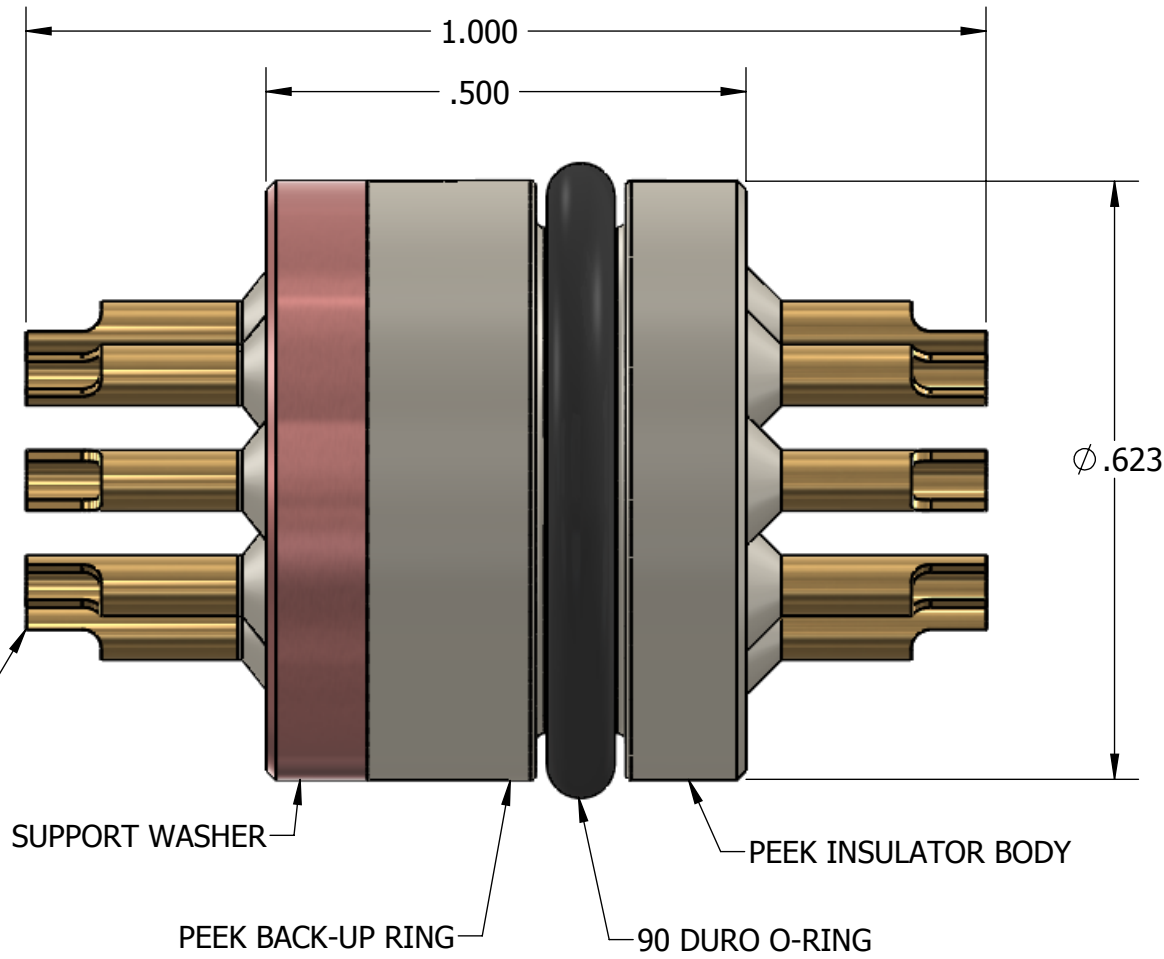
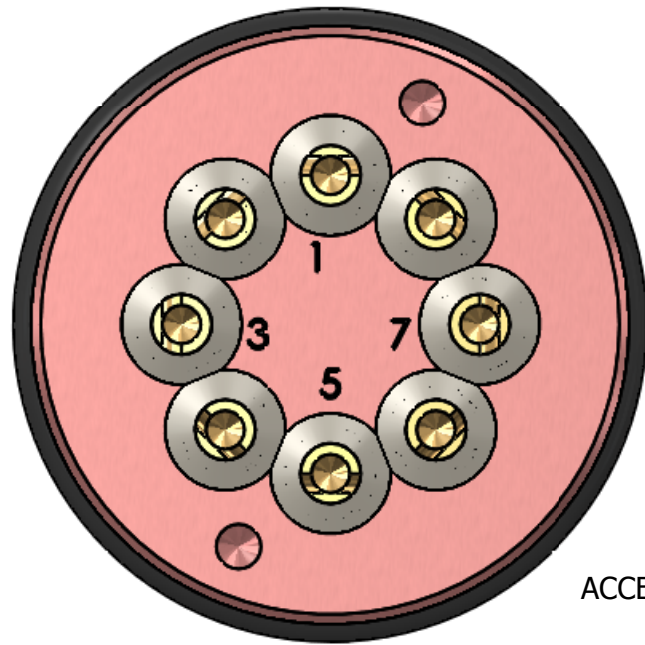


← **PRESSURE**



PROPERTIES:

1. TEMPERATURE RATING: 392°F (200°C)
CURRENT: 2 AMPS MAX
INSULATION RESISTANCE = 500M Ω @ 500VDC
2. PRESSURE RATING: 20 KSI
3. CONTACTS ARE GOLD PLATED PER CANYON SPEC: QP-ENG-7.4-001 CURRENT REVISION.



TITLE: CONNECTOR, 8 PIN BULKHEAD,
24 AWG x 24 AWG SOLDER CUP,
.625 DIA, PIN MOUNT

925-0350-02