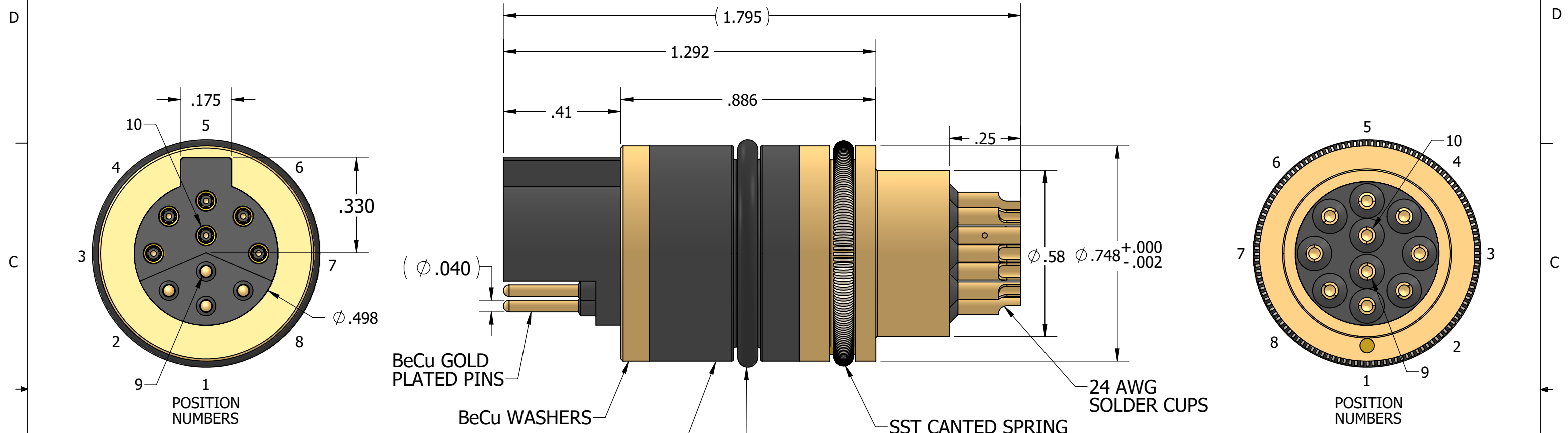
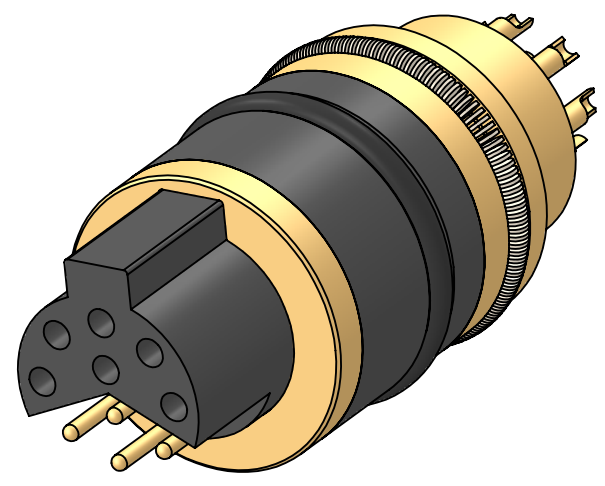


8 7 6 5 4 3 2 1



PROPERTIES:

1. TEMPERATURE RATING: 392 °F (200 °C)
 PRESSURE RATING: 20,000 PSI
 CURRENT RATING: 6 AMPS MAX
 INSULATION RESISTANCE: 500 MΩ @ 500 VDC
2. CONTACTS ARE GOLD PLATED PER CANYON SPEC:
 QP-ENG-7.4-001 CURRENT REVISION.
3. PIN RECEPTACLE:
 CONTACT TYPE: 6 FINGER CONTACT
 CONTACT MATERIAL: BERYLLIUM NICKEL (BeNi)
 TYPICAL INSERTION FORCE: 3.5 OUNCE-FORCE (ozf)



4 PIN / 6 SOCKET

| WIRING REFERENCE | |
|------------------|--------|
| CONTACT | COLOR |
| 1 | BLACK |
| 2 | BROWN |
| 3 | RED |
| 4 | ORANGE |
| 5 | YELLOW |
| 6 | GREEN |
| 7 | BLUE |
| 8 | VIOLET |
| 9 | GRAY |
| 10 | WHITE |



TITLE: ASSEMBLY, 10 PIN KTK CONNECTOR,
 6S-4P, .750 BORE Ø, GND-PIN 1
 925-0254-03 SALES

8 7 6 5 4 3 2 1