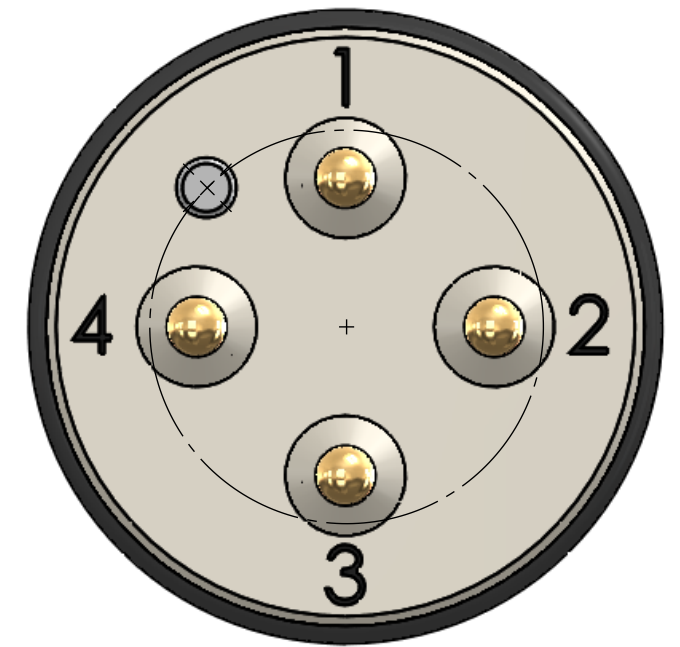
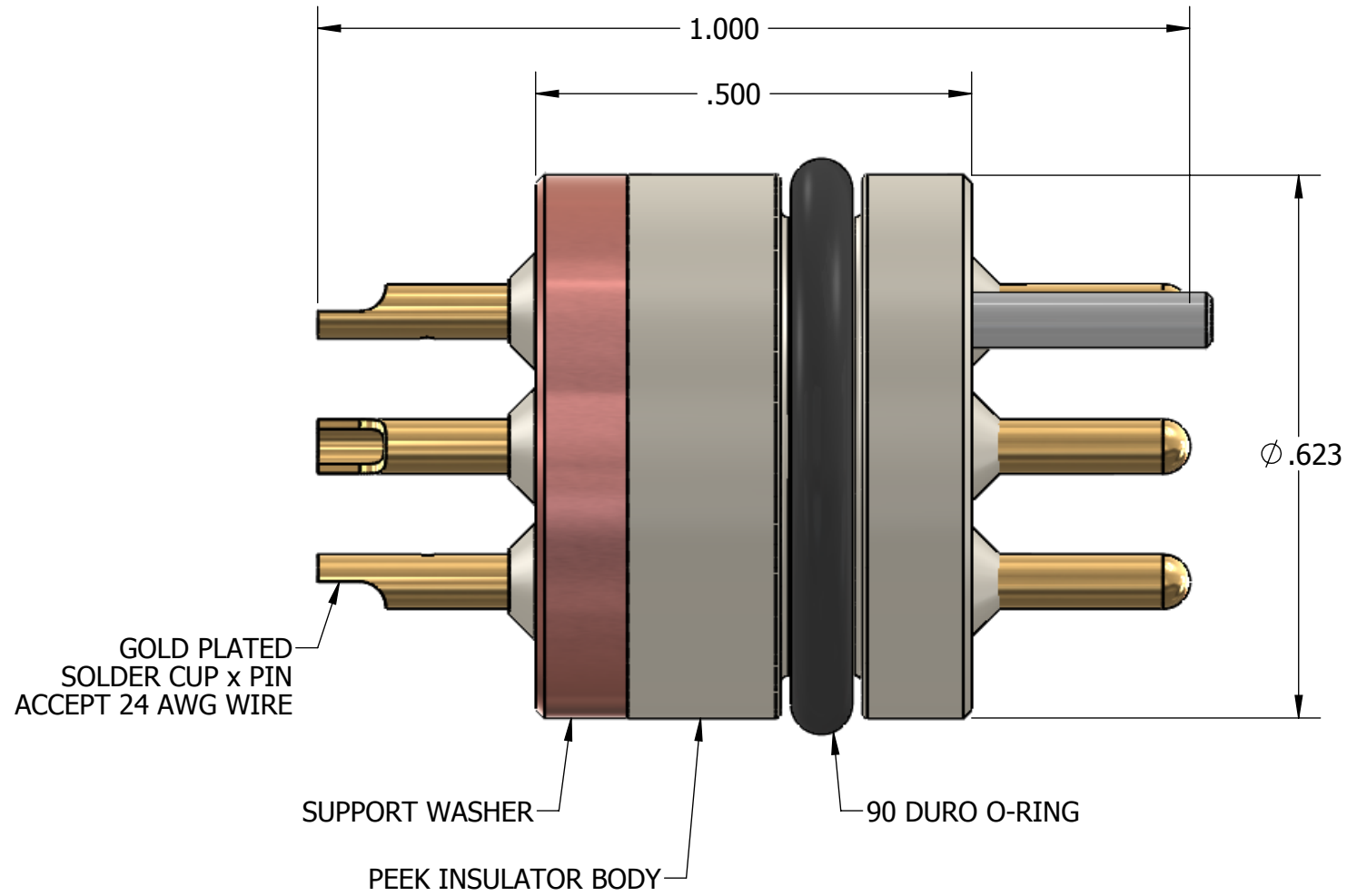
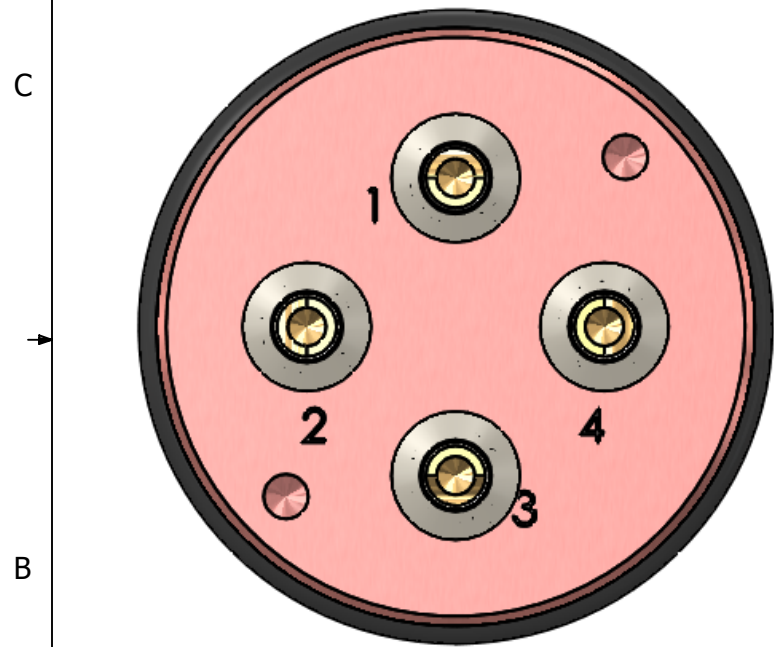


← **PRESSURE**



**PROPERTIES:**

1. TEMPERATURE RATING: 392°F (200°C)

CURRENT: 2 AMPS MAX

INSULATION RESISTANCE = 500M Ω @ 500VDC

2. PRESSURE RATING: 20 KSI

3. CONTACTS ARE GOLD PLATED PER CANYON SPEC: QP-ENG-7.4-001 CURRENT REVISION.



**TITLE:** CONNECTOR, 4 PIN BULKHEAD,  
24 AWG SOLDER CUP TO PIN,  
.625 DIA, PIN MOUNT

925-0220-02