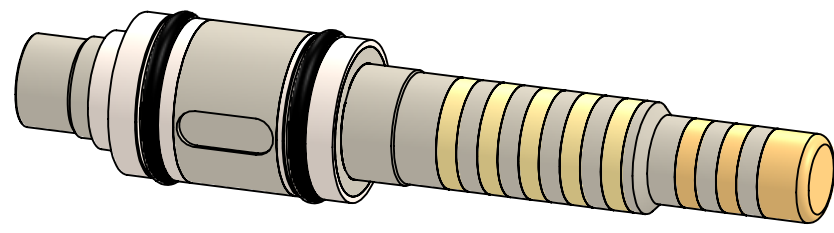
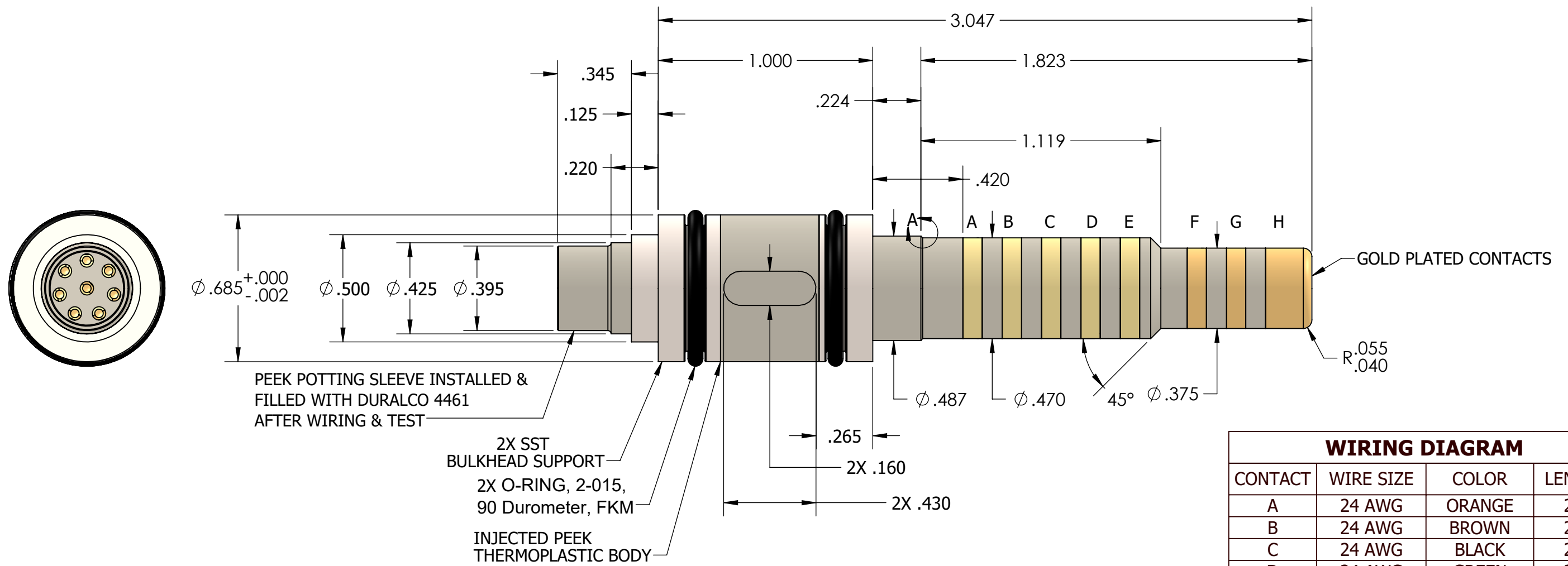


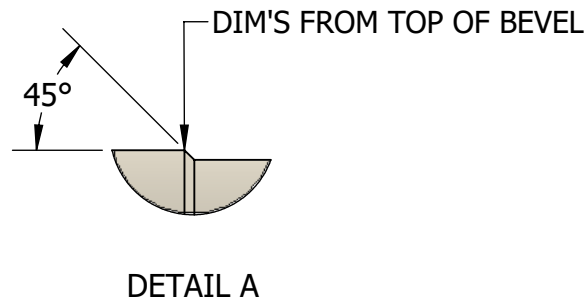
REVISIONS			
REV.	DESCRIPTION	DATE	APPROVED
D	DESIGN UPDATE PER -07 DETAILS -- ECN-10150	11/20/2019	SWright



← **PRESSURE DIRECTION** →



WIRING DIAGRAM			
CONTACT	WIRE SIZE	COLOR	LENGTH
A	24 AWG	ORANGE	24"
B	24 AWG	BROWN	24"
C	24 AWG	BLACK	24"
D	24 AWG	GREEN	24"
E	24 AWG	VIOLET	24"
F	24 AWG	YELLOW	24"
G	24 AWG	BLUE	24"
H	24 AWG	RED	24"



- NOTES:**
- TEMPERATURE RATING: 392°F (200°C)
Pressure Rating: 20K PSI
CURRENT: 2 AMPS MAX
INSULATION RESISTANCE = 500M Ω @ 500VDC
 - CONTACTS ARE GOLD PLATED PER CANYON SPEC:
QP-ENG-7.4-001 CURRENT REVISION.
 - WIRE LENGTH TO BE 24" MIN. OR AS DETERMINED BY CUSTOMER.
 - PART NUMBER TO ORDER: 915-0353-01, CURRENT REVISION.



TITLE:
ASSEMBLY, 8-CONDUCTOR MALE
ROTATABLE HT/HP BI-DIRECTIONAL
915-0353-01, Rev D, SALES