

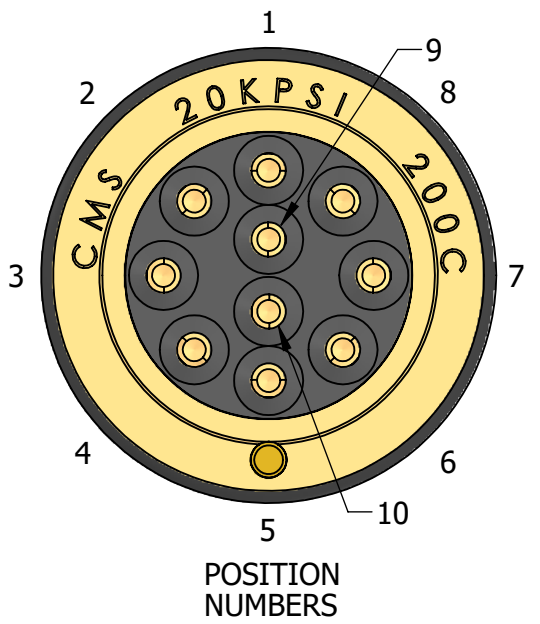
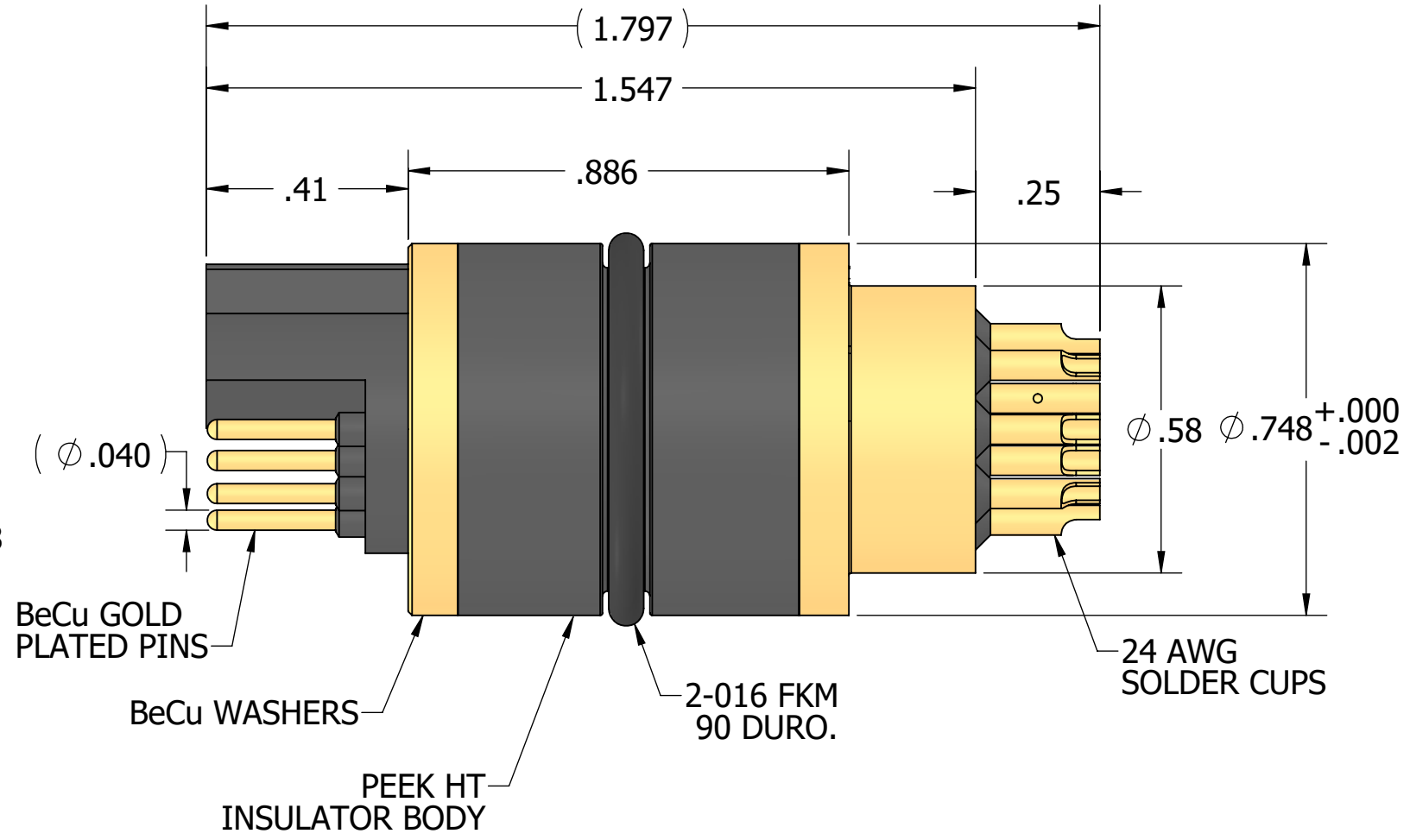
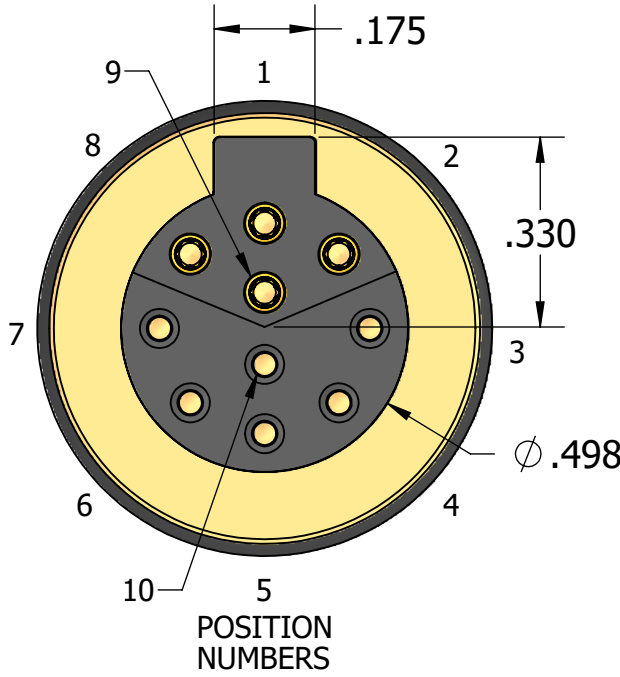
8 7 6 5 4 3 2 1

D

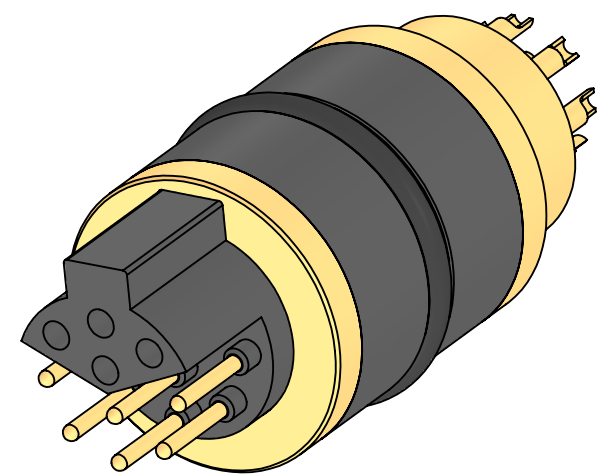
C

B

A



- PROPERTIES:**
- TEMPERATURE RATING: 392 °F (200 °C)
 PRESSURE RATING: 20,000 PSI
 CURRENT RATING: 6 AMPS MAX
 INSULATION RESISTANCE: 500 MΩ @ 500 VDC
 - CONTACTS ARE GOLD PLATED PER CANYON SPEC: QP-ENG-7.4-001 CURRENT REVISION.
 - PIN RECEPTACLE:
 CONTACT TYPE: 6 FINGER CONTACT
 CONTACT MATERIAL: BERYLLIUM NICKEL (BeNi)
 TYPICAL INSERTION FORCE: 3.5 OUNCE-FORCE (ozf)



6 PIN / 4 SOCKET

WIRING REFERENCE	
CONTACT	COLOR
1	BLACK
2	BROWN
3	RED
4	ORANGE
5	YELLOW
6	GREEN
7	BLUE
8	VIOLET
9	GRAY
10	WHITE



TITLE: ASSEMBLY, 10 PIN KTK CONNECTOR, 6P-4S, .750 BORE DIAMETER 925-0254-01, REV 5, SALES

8 7 6 5 4 3 2 1

A