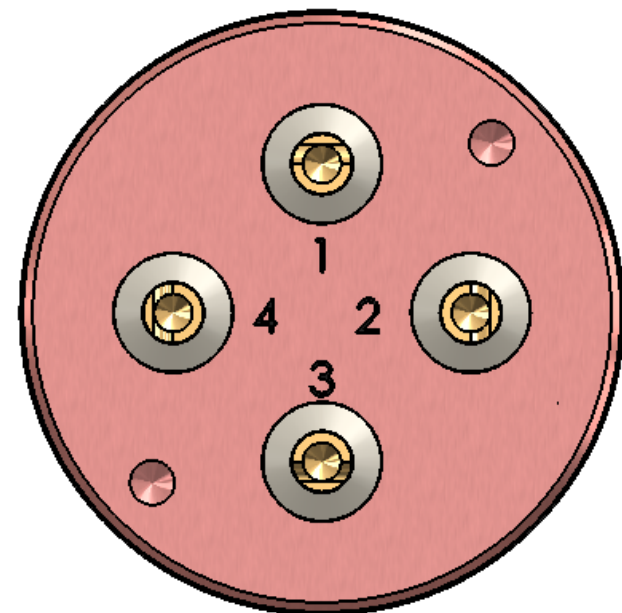
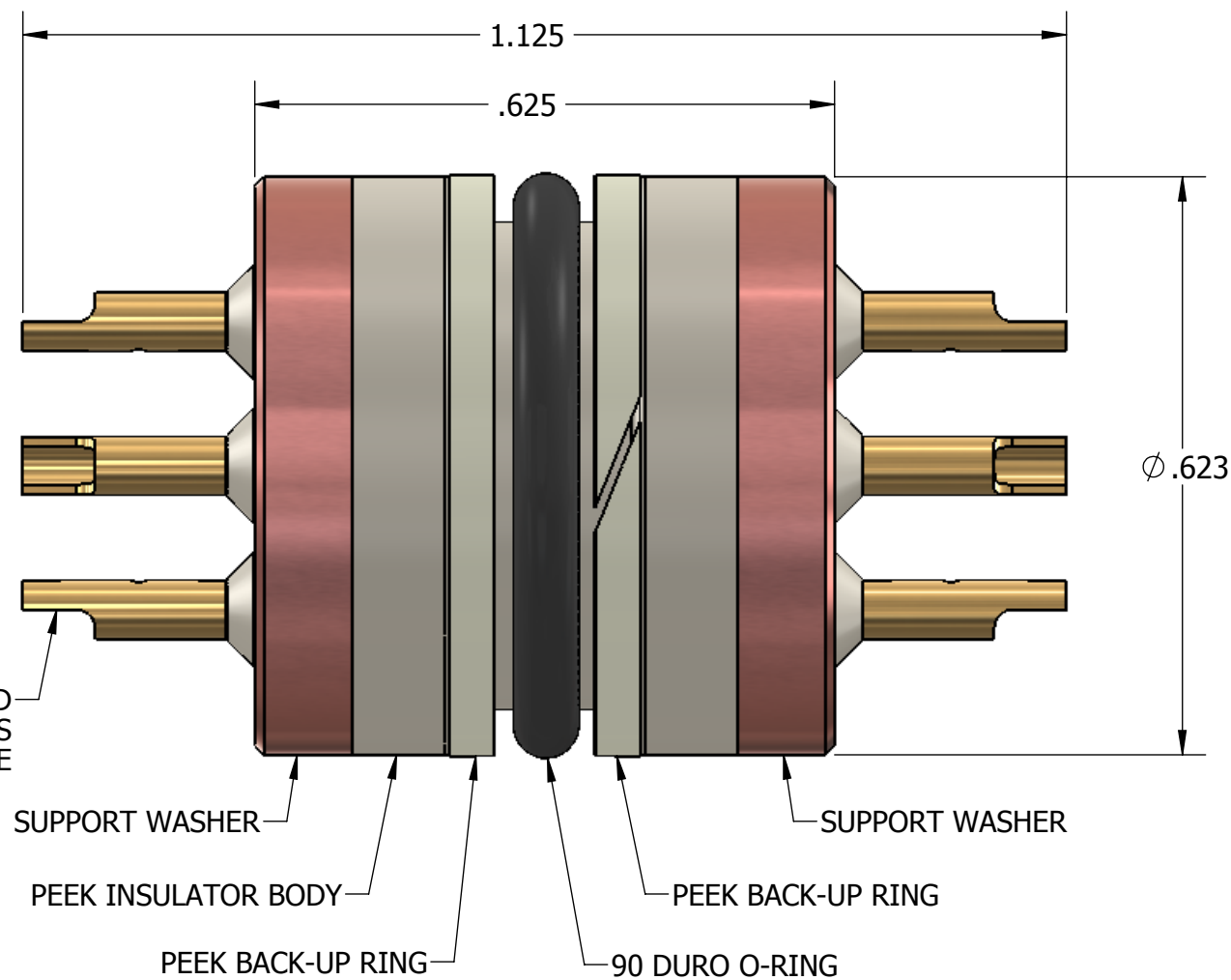
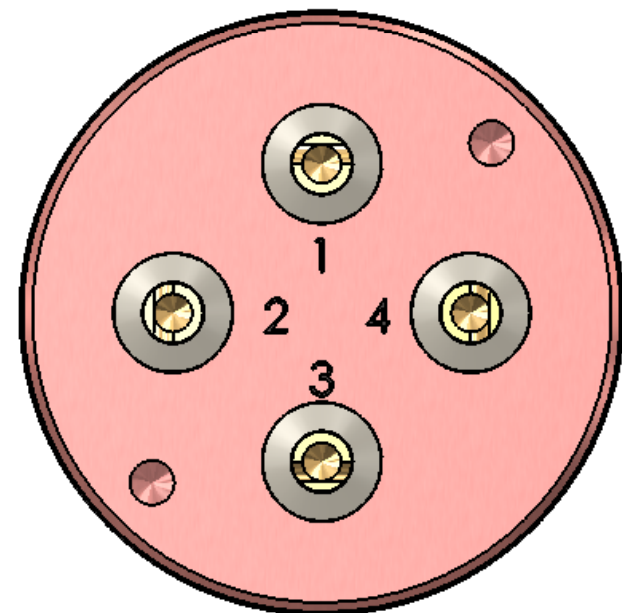
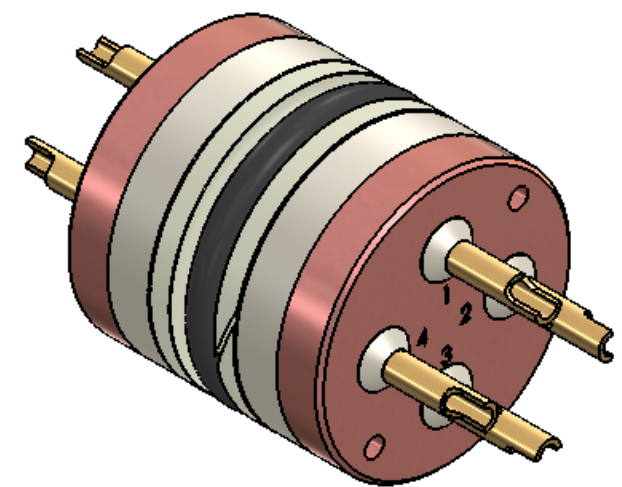


← **PRESSURE** →



**PROPERTIES:**

1. TEMPERATURE RATING: 392°F (200°C)  
CURRENT: 2 AMPS MAX  
INSULATION RESISTANCE = 500M Ω @ 500VDC
2. PRESSURE RATING: 20 KSI
3. CONTACTS ARE GOLD PLATED PER CANYON SPEC: QP-ENG-7.4-001 CURRENT REVISION.



**TITLE:** CONNECTOR, 4 PIN, 24 AWG x 24 AWG SOLDER CUP, .625 DIA, BI-DIRECTIONAL, PIN MOUNT

925-0242-02