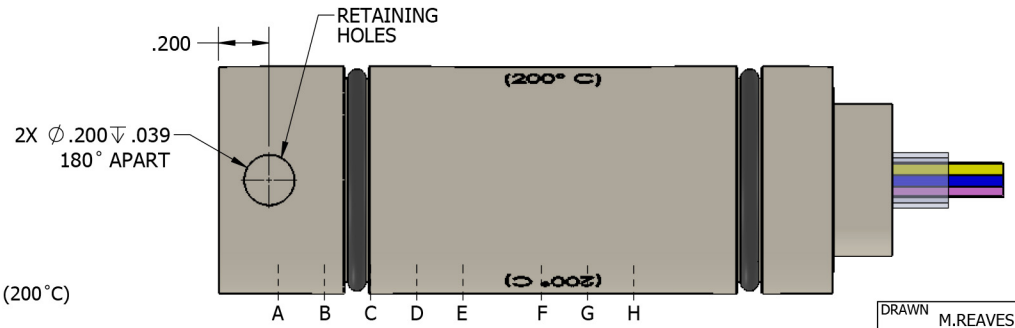
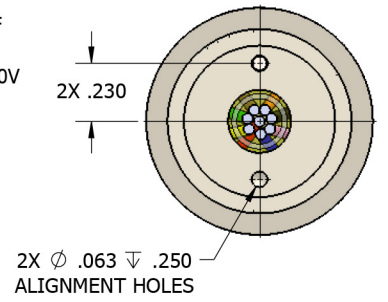
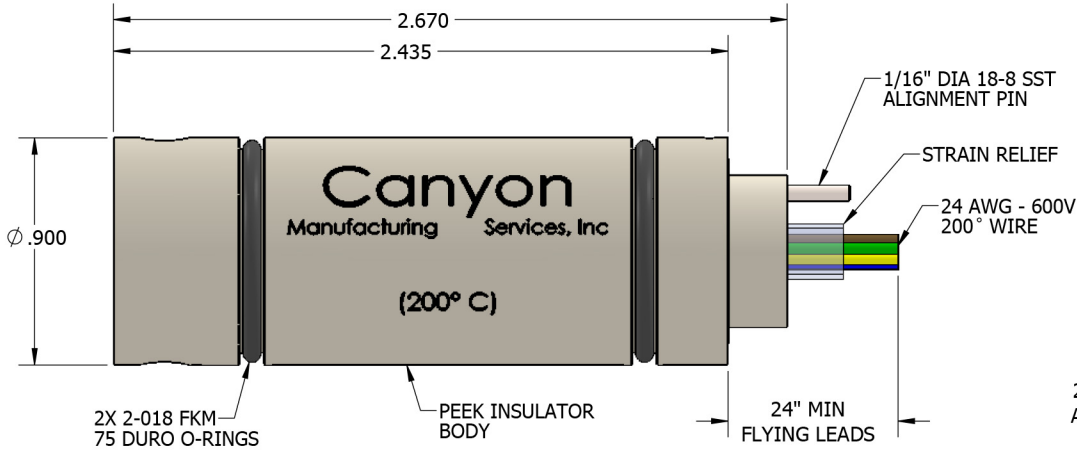
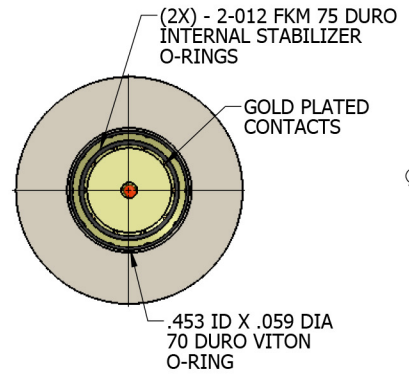


REVISIONS			
REV.	DESCRIPTION	DATE	APPROVED
A	INITIAL RELEASE	06/21/2017	P.BALCOM



WIRING DIAGRAM			
CONTACT	WIRE SIZE	COLOR	LENGTH
A	24 AWG	ORANGE	24"
B	24 AWG	BROWN	24"
C	24 AWG	BLACK	24"
D	24 AWG	GREEN	24"
E	24 AWG	VIOLET	24"
F	24 AWG	YELLOW	24"
G	24 AWG	BLUE	24"
H	24 AWG	RED	24"

- NOTES:**
- TEMPERATURE RATING: 392°F (200°C)
CURRENT: 2 AMPS MAX
INSULATION RESISTANCE = 500M Ω @ 500VDC
 - CONTACTS ARE GOLD PLATED PER CANYON SPEC:
QP-ENG-7.4-001 CURRENT REVISION.
 - WIRE LENGTH TO BE 24" MIN. OR AS DETERMINED BY CUSTOMER.
 - PART NUMBER TO ORDER: 915-0250-04, CURRENT REVISION.

DRAWN	M.REAVES	06/19/2017
CHECKED	P. BALCOM	06/19/2017
APPROVED	P. BALCOM	06/19/2017

UNLESS OTHERWISE SPECIFIED:
DIMENSIONS ARE IN INCHES [MM]
TOLERANCES:
ANGULAR: $\pm .50^\circ$
TWO PLACE DECIMAL $\pm .015$
THREE PLACE DECIMAL $\pm .005$
FOUR PLACE DECIMAL $\pm .0005$
FILLETS: R.032 MAX
REMOVE ALL BURRS AND BREAK SHARP EDGES .015 MAX

Canyon
Manufacturing Services, Inc.

TITLE:
ASSEMBLY, 8 CONDUCTOR FEMALE
ROTATABLE, STEPPED, NON-STD

SIZE	MATERIAL	DWG. NO.	REV
B	SEE NOTES	915-0250-04-SALES	A

THE INFORMATION CONTAINED IN THIS DRAWING IS THE SOLE PROPERTY OF CANYON MANUFACTURING INC. ANY REPRODUCTION IN PART OR AS A WHOLE WITHOUT THE WRITTEN PERMISSION OF CANYON MANUFACTURING INC. IS PROHIBITED.

SHEET 1 OF 1