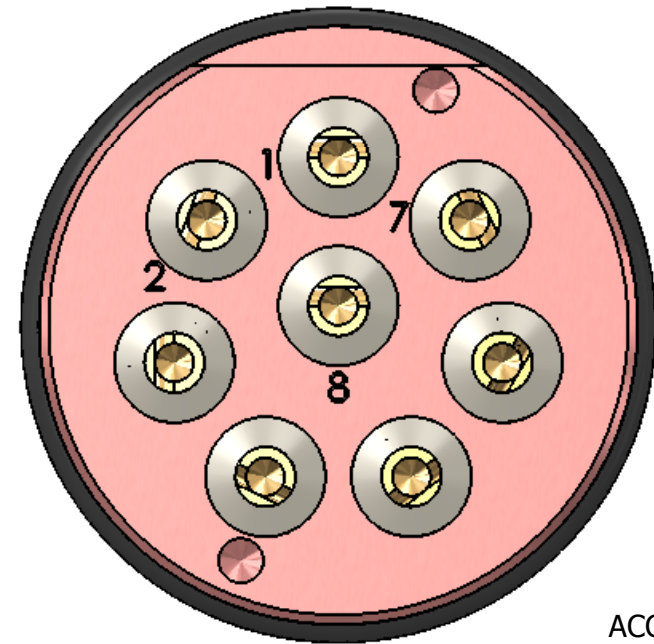


D

D



C

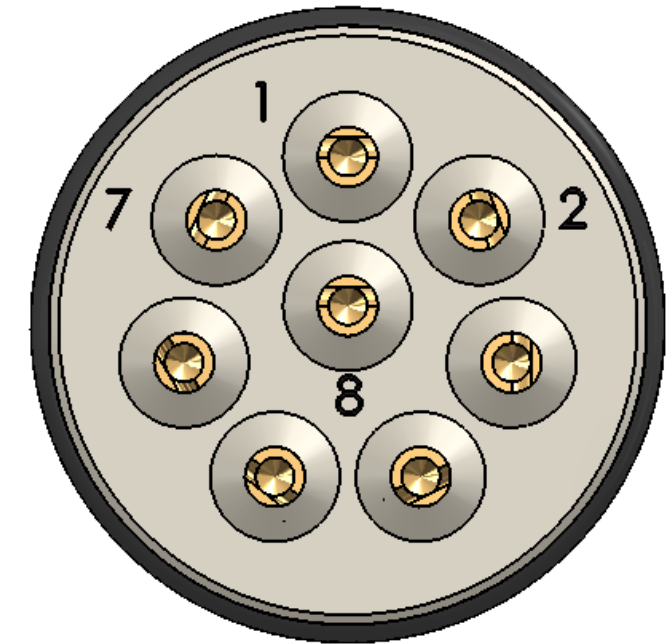
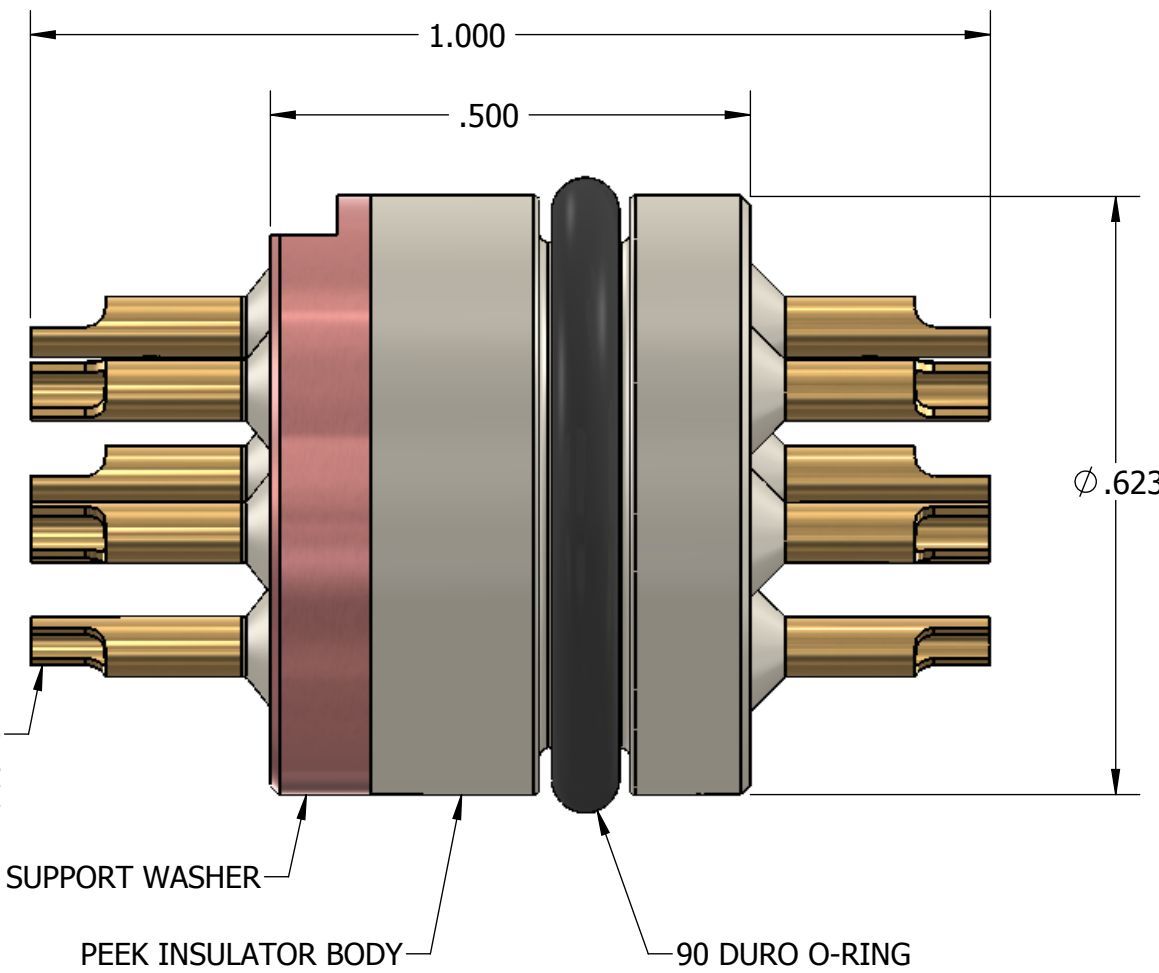
C

B

B

A

A



PROPERTIES:

1. TEMPERATURE RATING: 392 °F (200 °C)
CURRENT: 2 AMPS MAX
INSULATION RESISTANCE = 500M Ω @ 500VDC
2. PRESSURE RATING: 20 KSI
3. CONTACTS ARE GOLD PLATED PER CANYON SPEC: QP-ENG-7.4-001 CURRENT REVISION.



TITLE: CONNECTOR, 8-PIN BULKHEAD, 24 AWG X 24 AWG SOLDER CUP, CENTER PIN, .625 DIA, FLAT MOUNT

925-0009-01

8 7 6 5 4 3 2 1

8 7 6 5 4 3 2 1