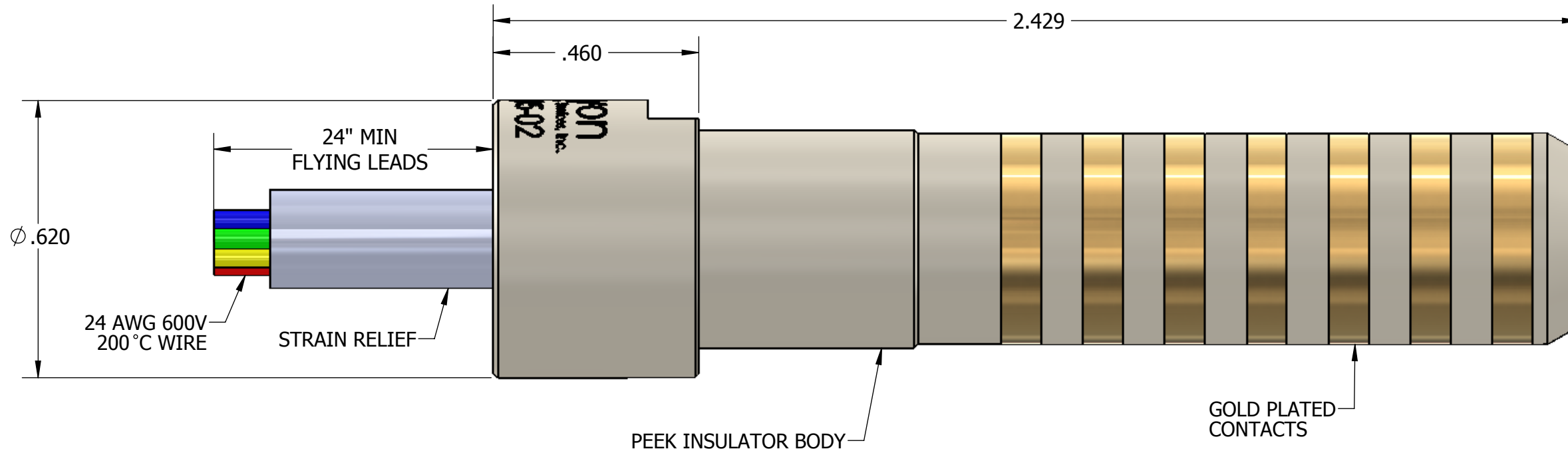


| WIRING DIAGRAM | | | |
|----------------|-----------|--------|--------|
| CONTACT | WIRE SIZE | COLOR | LENGTH |
| A | 24 AWG | ORANGE | 24" |
| B | 24 AWG | BROWN | 24" |
| C | 24 AWG | BLACK | 24" |
| D | 24 AWG | RED | 24" |
| E | 24 AWG | YELLOW | 24" |
| F | 24 AWG | GREEN | 24" |
| G | 24 AWG | BLUE | 24" |



PROPERTIES:

- TEMPERATURE RATING: 392°F (200°C)
CURRENT: 2 AMPS MAX
INSULATION RESISTANCE = 500M Ω @ 500VDC
- CONTACTS ARE GOLD PLATED PER CANYON SPEC: QP-ENG-7.4-001 CURRENT REVISION.
- INSERTION TESTING: 5000 CYCLES ROTATING @ 5 RPM'S.
- HALT TESTING:
COLD STEP STRESS, HOT STEP STRESS, RAPID THERMAL CYCLE,
VIBRATION STEP STRESS & COMBINED THERMAL AND VIBRATION.
ENVIRONMENTAL CONDITIONS OF HALT TESTING:
TEMPERATURE RANGE: -40°C TO +200°C
VIBRATION: UP TO 80 Grms



TITLE:
ASSEMBLY, 7 CONDUCTOR, MALE
915-0105