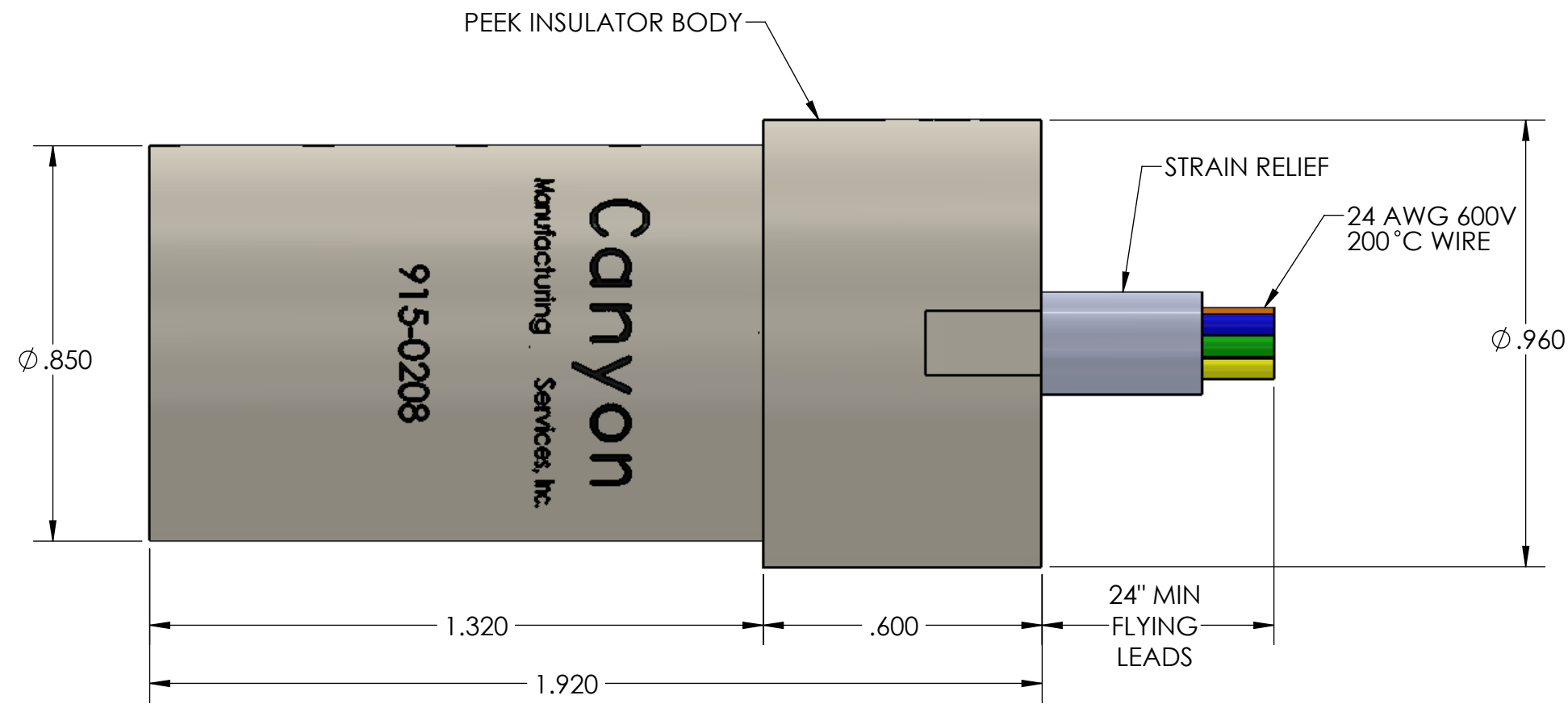
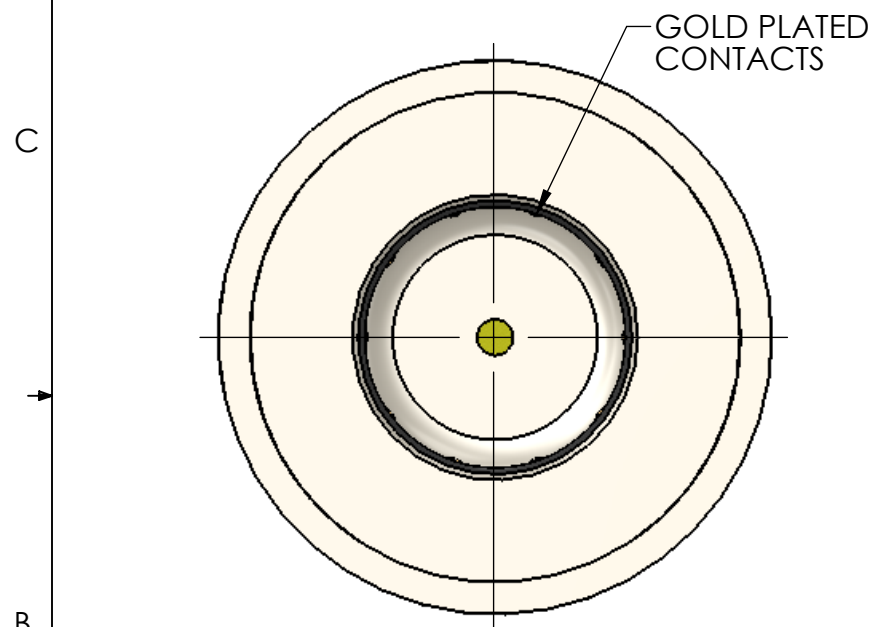


WIRING DIAGRAM			
CONTACT	WIRE SIZE	COLOR	LENGTH
A	24 AWG	ORANGE	24"
B	24 AWG	BROWN	24"
C	24 AWG	BLACK	24"
D	24 AWG	RED	24"
E	24 AWG	YELLOW	24"
F	24 AWG	GREEN	24"
G	24 AWG	BLUE	24"



PROPERTIES:

- TEMPERATURE RATING: 392°F (200°C)
CURRENT: 2 AMPS MAX
INSULATION RESISTANCE = 500M Ω @ 500VDC
- CONTACTS ARE GOLD PLATED PER CANYON SPEC: QP-ENG-7.4-001 CURRENT REVISION.
- INSERTION TESTING: 5000 CYCLES ROTATING @ 5 RPM'S.
- HALT TESTING:
COLD STEP STRESS, HOT STEP STRESS, RAPID THERMAL CYCLE,
VIBRATION STEP STRESS & COMBINED THERMAL AND VIBRATION.
ENVIRONMENTAL CONDITIONS OF HALT TESTING:
TEMPERATURE RANGE: -40°C TO +200°C
VIBRATION: UP TO 80 Grms



TITLE:
ASSEMBLY, 7 CONDUCTOR, FEMALE
915-0208