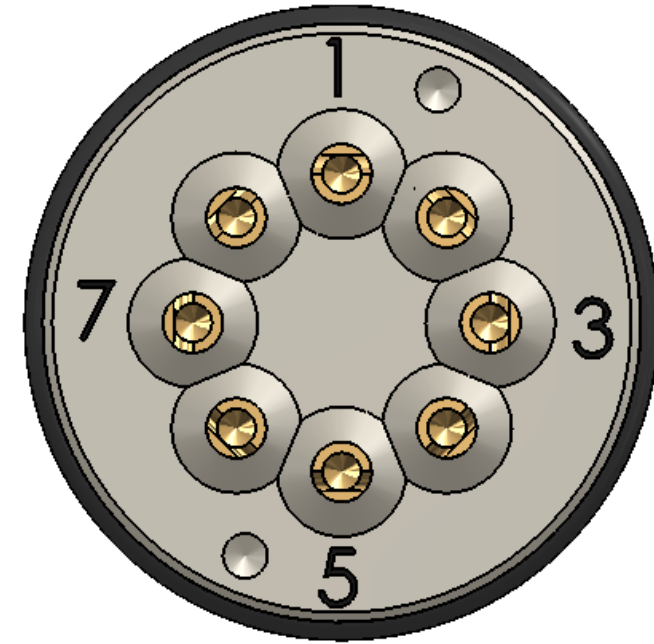
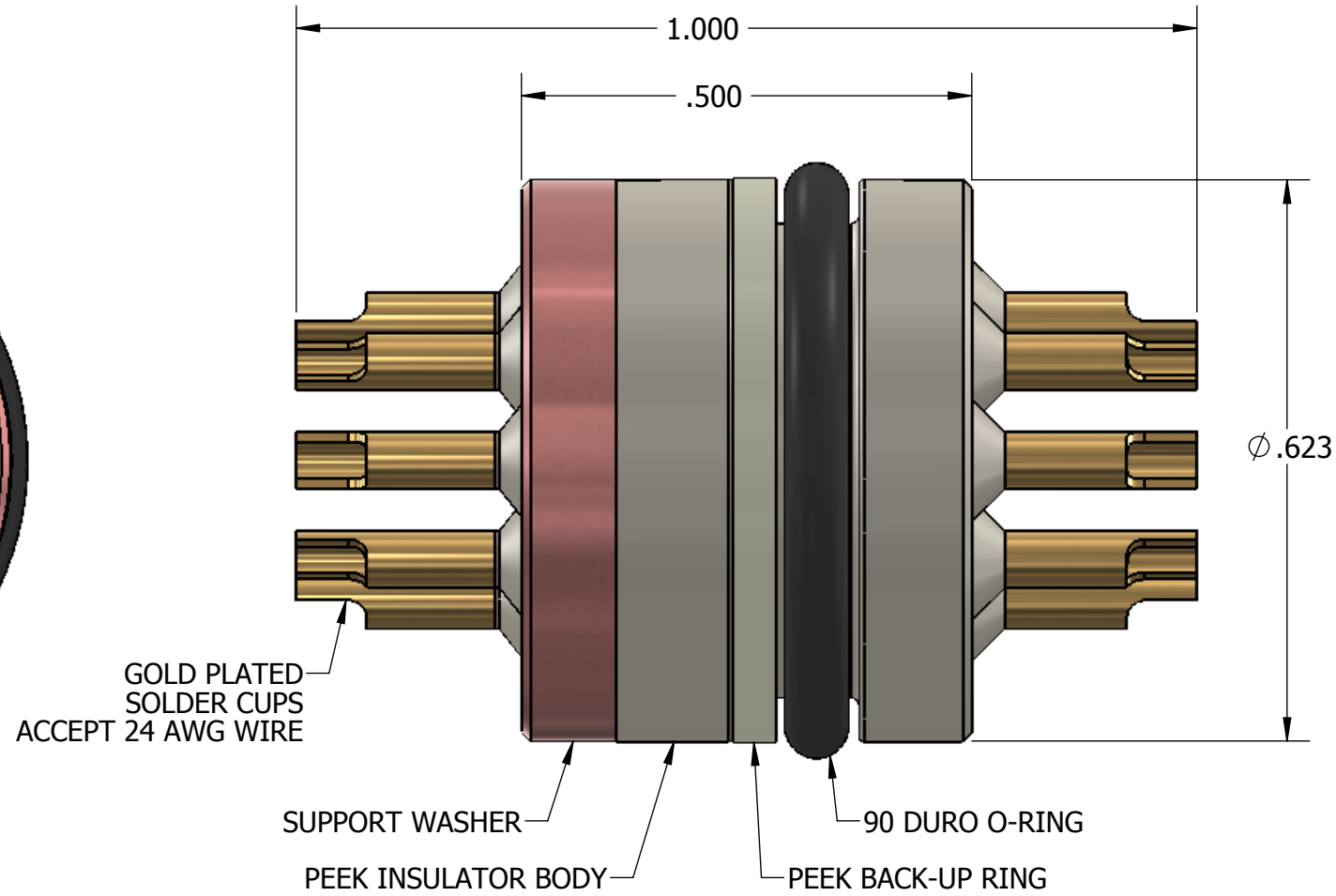
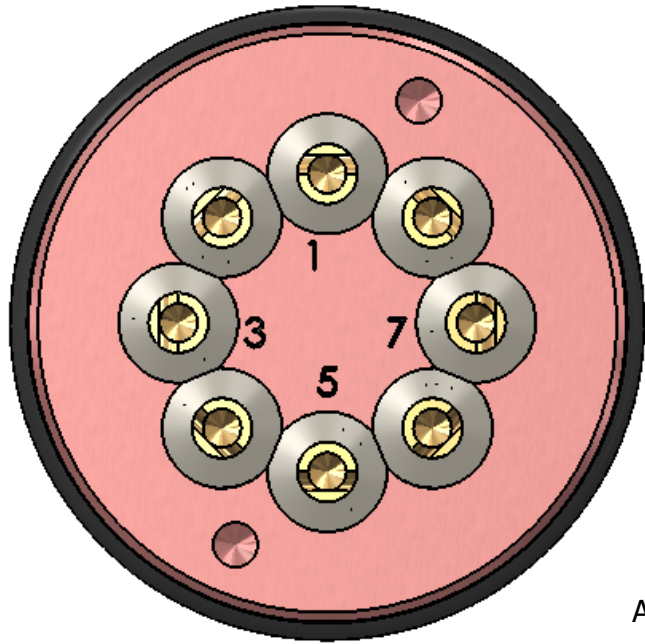


← **PRESSURE**



PROPERTIES:

1. TEMPERATURE RATING: 392 °F (200 °C)
CURRENT: 2 AMPS MAX
INSULATION RESISTANCE = 500M Ω @ 500VDC
2. PRESSURE RATING: 20 KSI
3. CONTACTS ARE GOLD PLATED PER CANYON SPEC: QP-ENG-7.4-001 CURRENT REVISION.



TITLE:
CONNECTOR, 8 PIN BULKHEAD, 24 AWG
x 24 AWG SOLDER CUP, .625DIA,
w/BACKUP RING, PIN MOUNT

925-0350-04