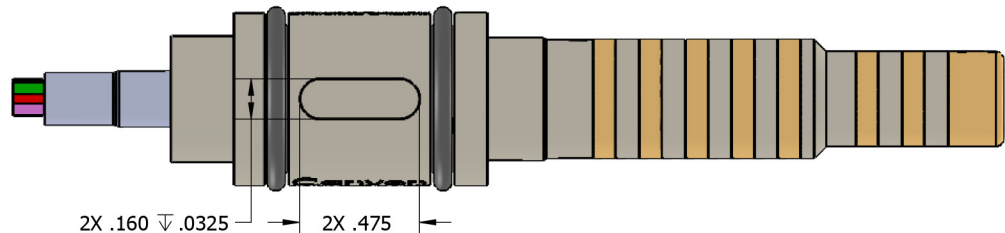
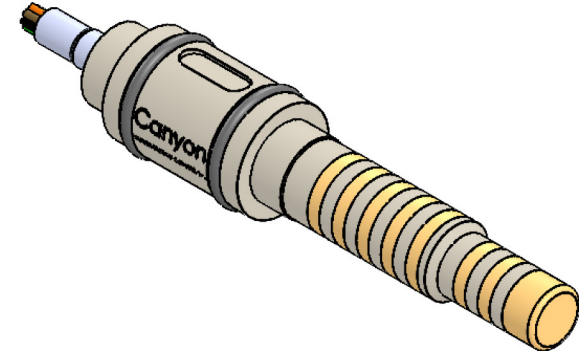
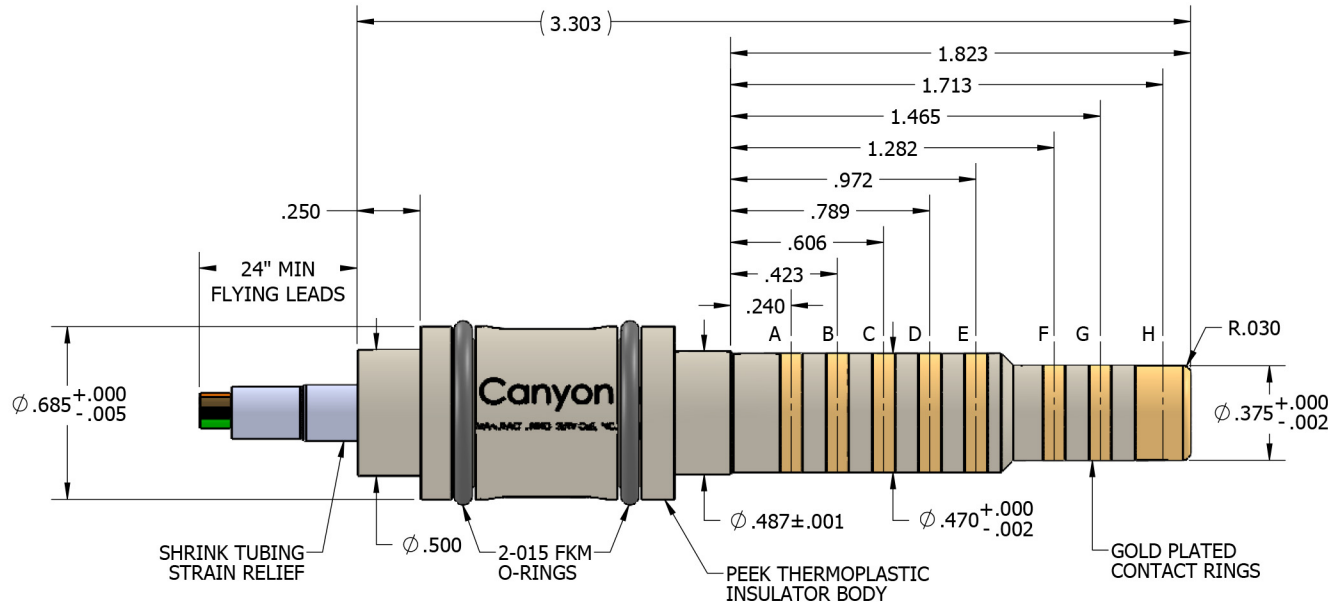


REVISIONS			
REV.	DESCRIPTION	DATE	APPROVED
A	INITIAL RELEASE	6/15/2021	SWright



MILSPEC_POSITION COLOR CODE

WIRING DIAGRAM			
CONTACT	WIRE SIZE	COLOR	LENGTH
A	24 AWG	BLACK	24"
B	24 AWG	BROWN	24"
C	24 AWG	RED	24"
D	24 AWG	ORANGE	24"
E	24 AWG	YELLOW	24"
F	24 AWG	GREEN	24"
G	24 AWG	BLUE	24"
H	24 AWG	VIOLET	24"

NOTES:

- TEMPERATURE RATING: 392°F (200°C)
CURRENT: 24AWG = 2 AMPS MAX, 16AWG = 5 AMPS MAX
INSULATION RESISTANCE = 500M Ω @ 500VDC
- CONTACTS ARE GOLD PLATED PER CANYON SPEC:
QP-ENG-7.4-001 CURRENT REVISION.
- WIRE LENGTH TO BE 24" MIN. OR AS DETERMINED BY CUSTOMER.
- ORDER PART NUMBER: 915-0150-02, REV A



TITLE:
ASSEMBLY, 8-CONDUCTOR FEMALE
STEPPED, MIL-WIRE-CODE
915-0150-02, REV A, SALES