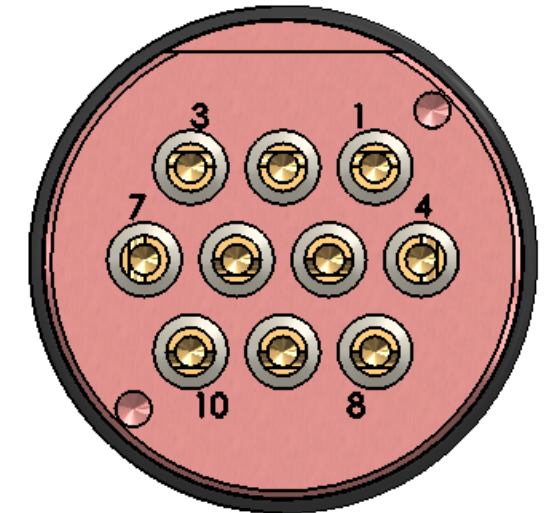
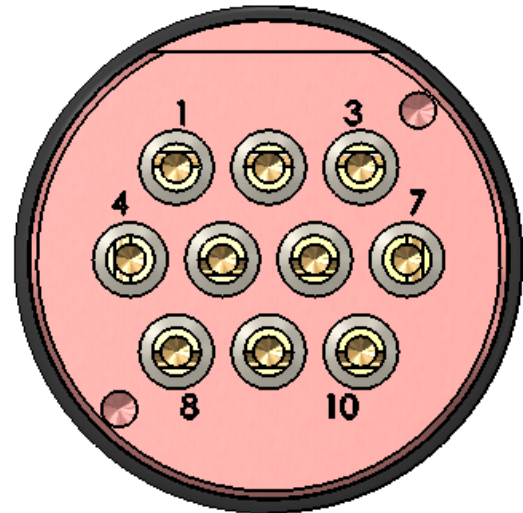
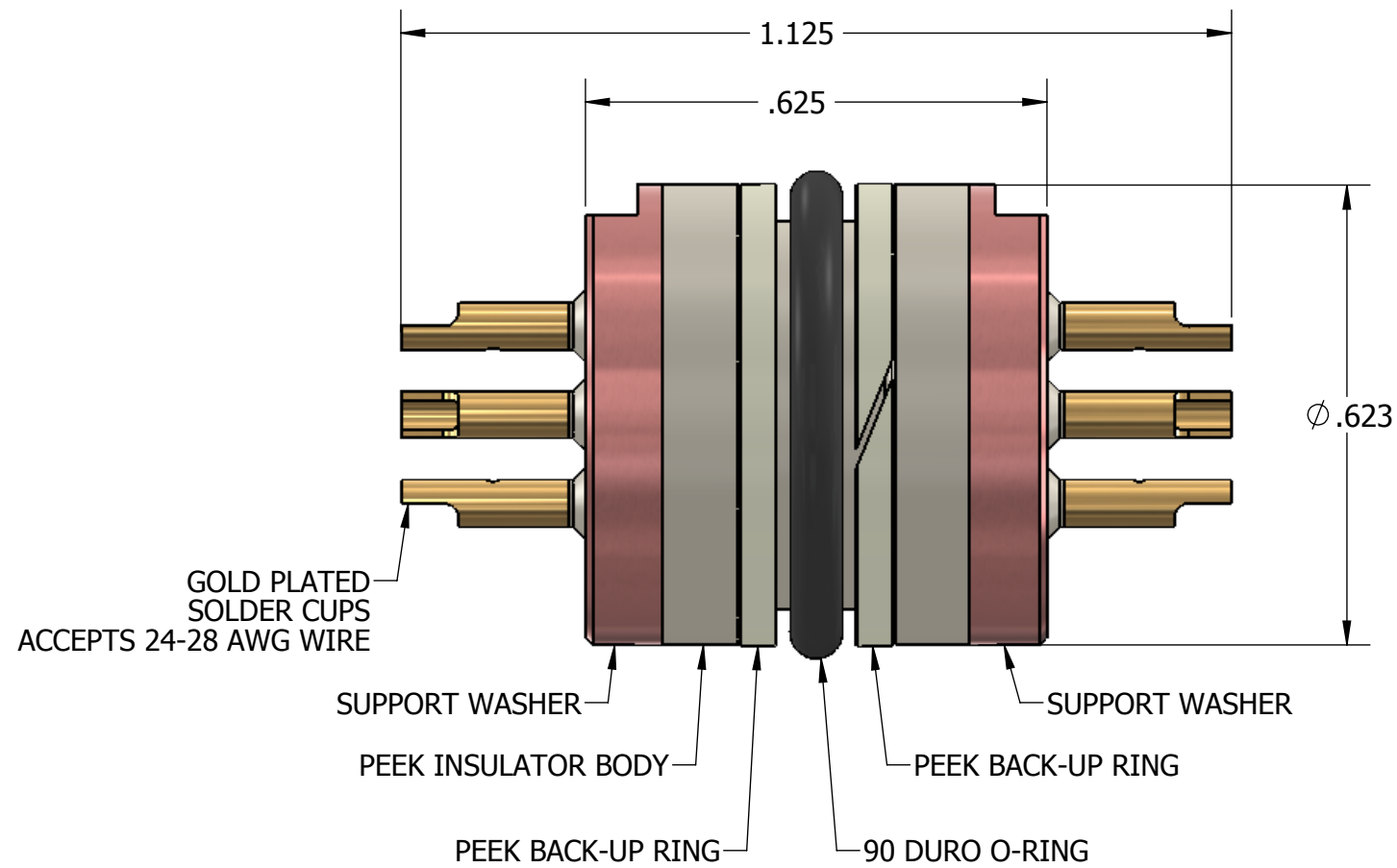


← **PRESSURE** →



PROPERTIES:

1. TEMPERATURE RATING: 392°F (200°C)
CURRENT: 2 AMPS MAX
INSULATION RESISTANCE = 500M Ω @ 500VDC
2. PRESSURE RATING: 20 KSI
3. CONTACTS ARE GOLD PLATED PER CANYON SPEC: QP-ENG-7.4-001 CURRENT REVISION.



TITLE: CONNECTOR, 10 PIN BULKHEAD, 24 AWG X 24 AWG, SOLDER CUP, .625 BORE, BI-DIRECTIONAL, FLAT MOUNT

925-0264-01