

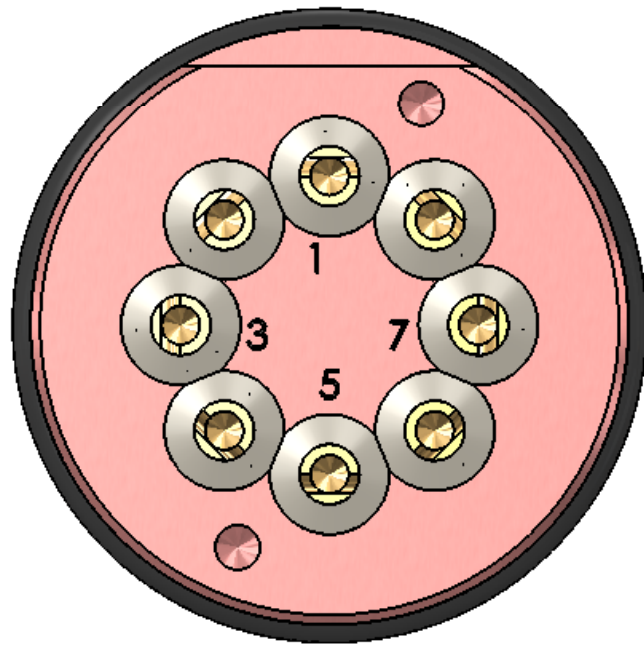
D

D

← **PRESSURE**

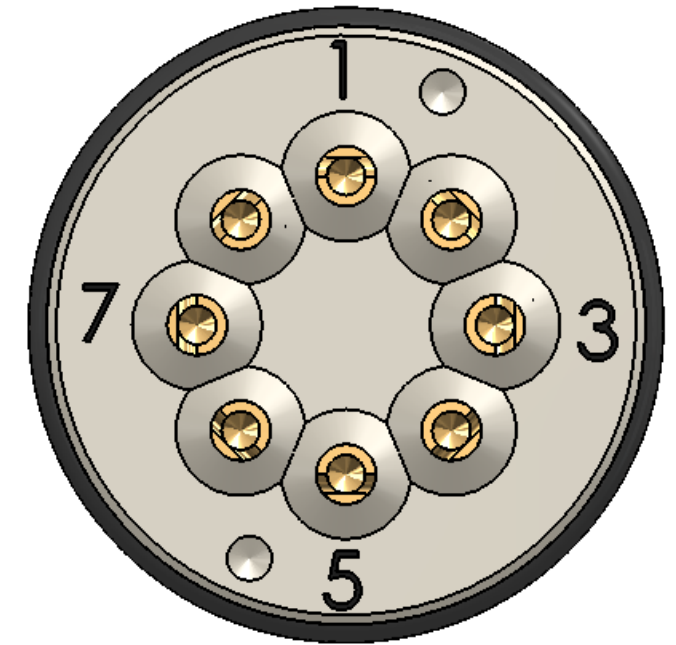
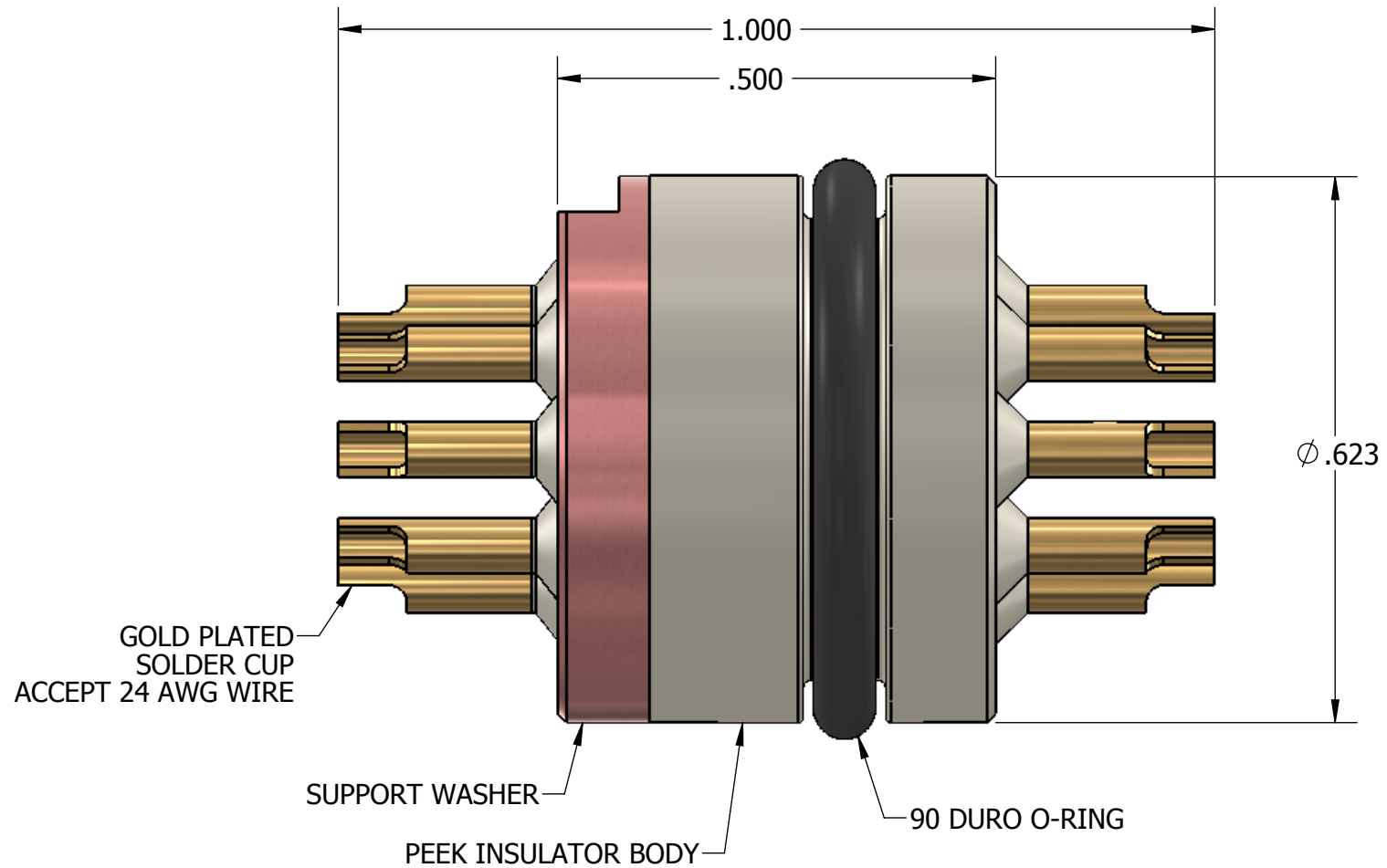
C

C



B

B



C

B

PROPERTIES:

1. TEMPERATURE RATING: 392 °F (200 °C)
CURRENT: 2 AMPS MAX
INSULATION RESISTANCE = 500M Ω @ 500VDC
2. PRESSURE RATING: 20 KSI
3. CONTACTS ARE GOLD PLATED PER CANYON SPEC: QP-ENG-7.4-001 CURRENT REVISION.

A

A



TITLE: CONNECTOR, 8 PIN BULKHEAD, 24 AWG x 24 AWG SOLDER CUP, .625 DIA, FLAT MOUNT
925-0350-01

8

7

6

5

4

3

2

1

8

7

6

5

4

3

2

1