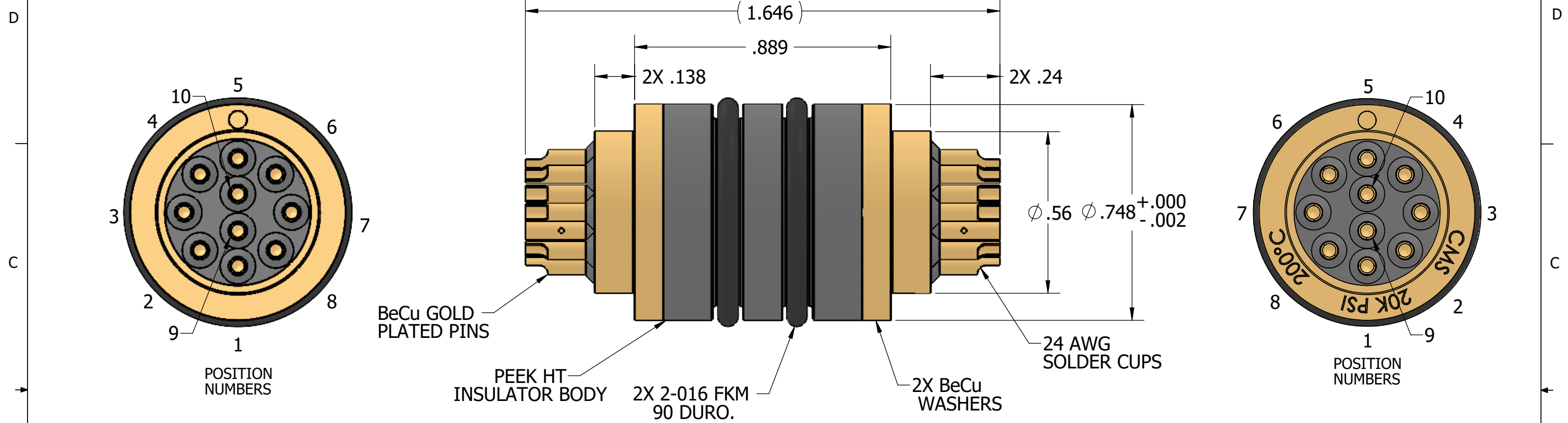
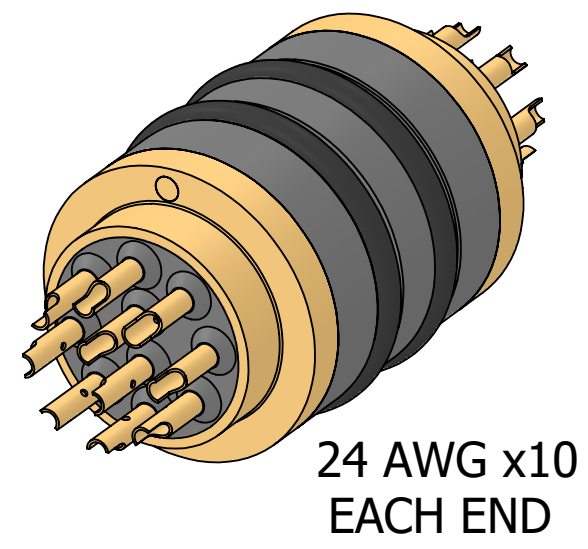


8 7 6 5 4 3 2 1



- PROPERTIES:**
- TEMPERATURE RATING: 392 °F (200 °C)  
 PRESSURE RATING: 20,000 PSI  
 CURRENT RATING: 6 AMPS MAX  
 INSULATION RESISTANCE: 500 MΩ @ 500 VDC
  - CONTACTS ARE GOLD PLATED PER CANYON SPEC:  
 QP-ENG-7.4-001 CURRENT REVISION.



WIRING REFERENCE	
CONTACT	COLOR
1	BLACK
2	BROWN
3	RED
4	ORANGE
5	YELLOW
6	GREEN
7	BLUE
8	VIOLET
9	GRAY
10	WHITE



TITLE: ASSEMBLY, 10 PIN KTK BULKHEAD,  
 2X\_24AWG SOLDER CUPS, .750 BORE Ø  
 925-0334-01, REV C, SALES

8 7 6 5 4 3 2 1