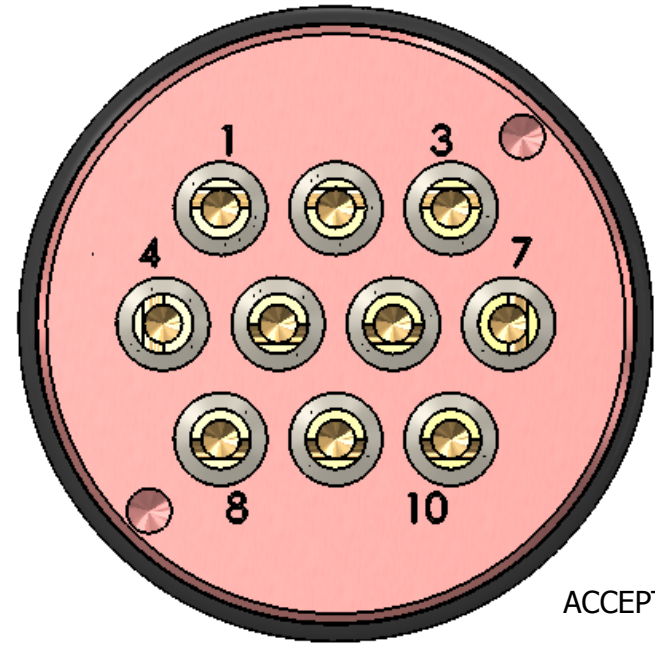
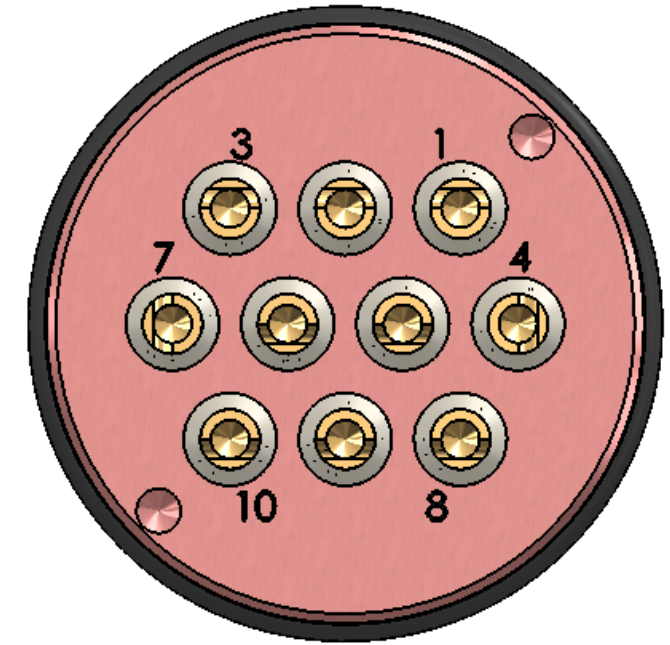
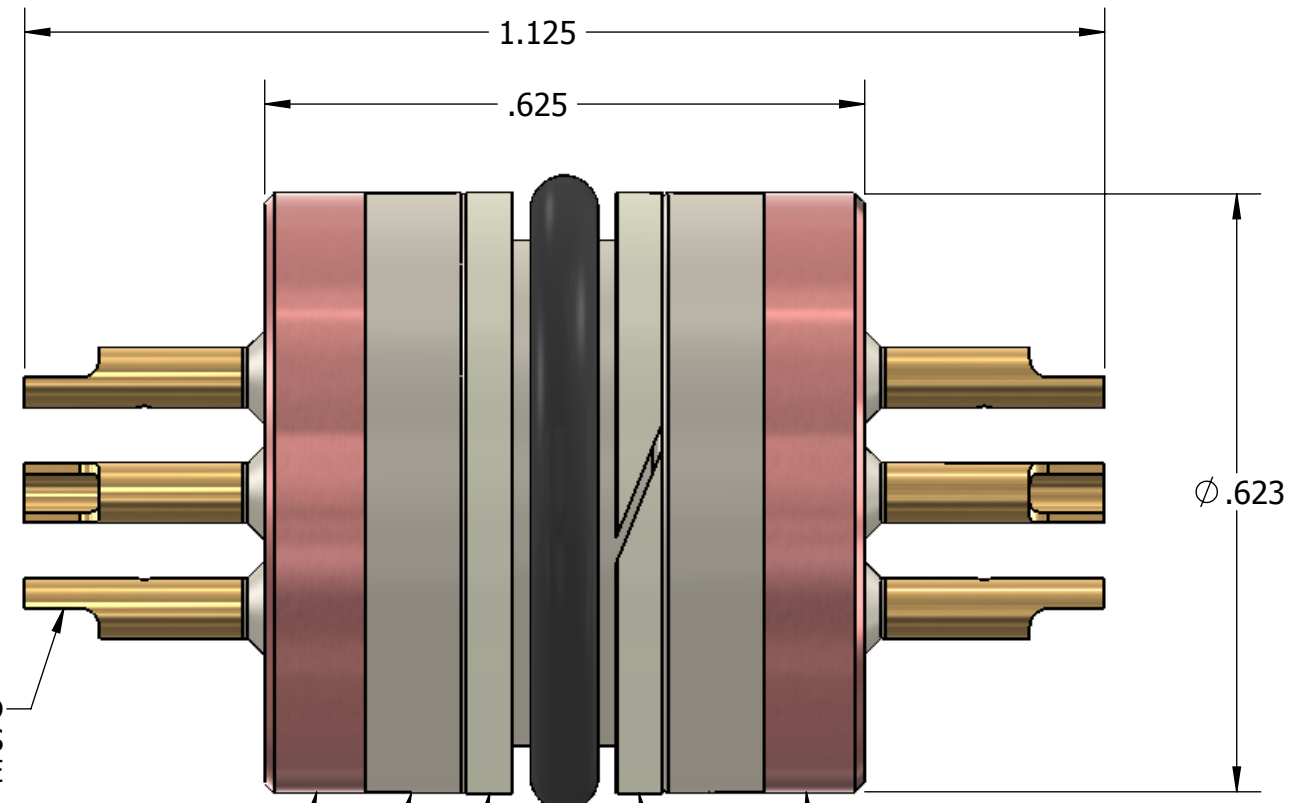


← **PRESSURE** →



GOLD PLATED  
SOLDER CUPS  
ACCEPT 24 AWG WIRE



**PROPERTIES:**

1. TEMPERATURE RATING: 392 °F (200 °C)  
CURRENT: 2 AMPS MAX  
INSULATION RESISTANCE = 500M  $\Omega$  @ 500VDC
2. PRESSURE RATING: 20 KSI
3. CONTACTS ARE GOLD PLATED PER CANYON SPEC: QP-ENG-7.4-001 CURRENT REVISION.



**TITLE:**  
CONNECTOR, 10 PIN BULKHEAD, 24  
AWG X 24 AWG, SOLDER CUP, .625 DIA,  
BI-DIRECTIONAL, PIN MOUNT  
925-0264-02