

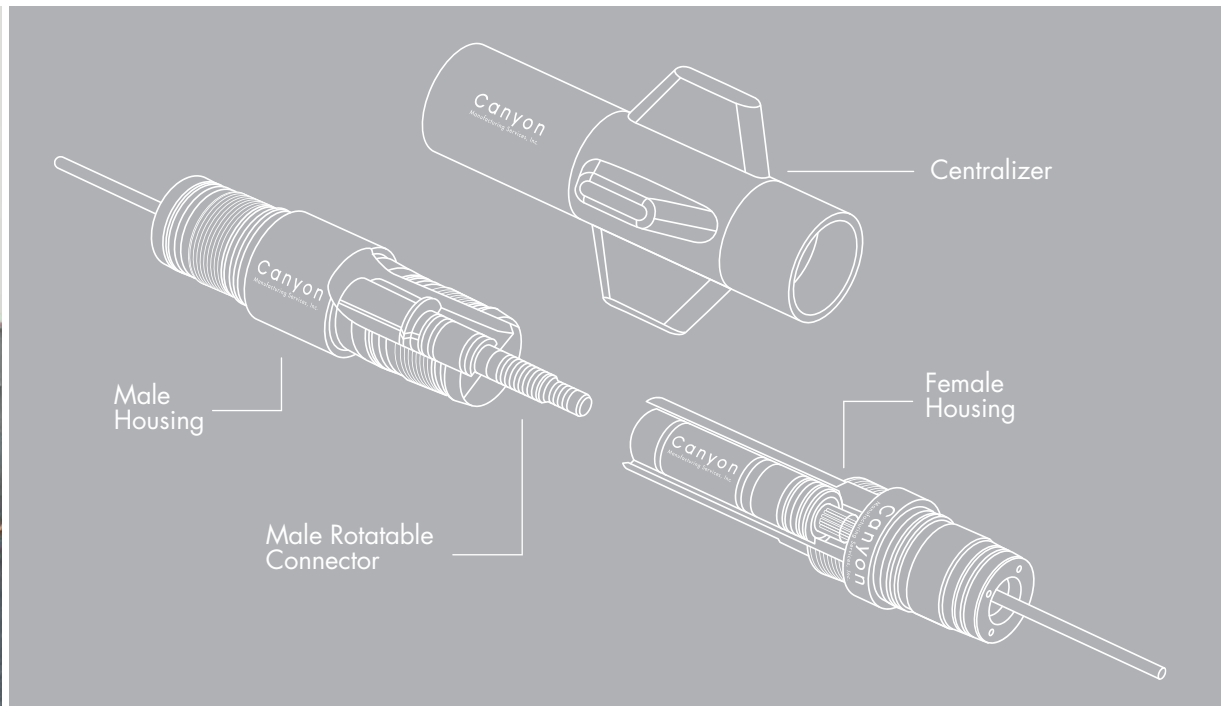


Get it right the first time

Designed for easy assembly that never misses the mark.

When the clock is ticking and your engineering resources are slim, you don't have time to mess around with subpar products that don't perform as promised. You need the RIM-Fire Interconnect on your side.

This interconnect product integrates our high-performance connectors with our precision machined hardware. That means when you use the RIM-Fire, you'll know without a doubt that your MWD modules are installed the right way. Add in options for standard or custom packages—engineered, manufactured and delivered on your schedule—plus testing that exceeds the standard rating, and you've found a product that truly delivers the reliability you need. The first time. Every time.



Features

- Enables worry-free connection of MWD modules: Gamma, Pulsar, Directional, Resistivity, Battery
- Includes Canyon male and female rotatable connectors
- Eliminate bent connector pins and twisted wiring
- Abrasion-resistant 200°C mesh wire sleeving
- High-temp, Class III wiring with strain reliefs
- Wire terminations that suit your application
- 20,000 psi bulkhead available (optional)

Materials	
Housings	BeCu
Fins	Rubber (HBNR)
O-Ring	FKM (Viton)

Product Specifications	
Number of Conductors	8 or 10
Temperature Rating	200°C / 392°F
Housing Diameter	1.875" / 47.6 mm
O-ring Seals	2 or 3 (back-ups optional)

