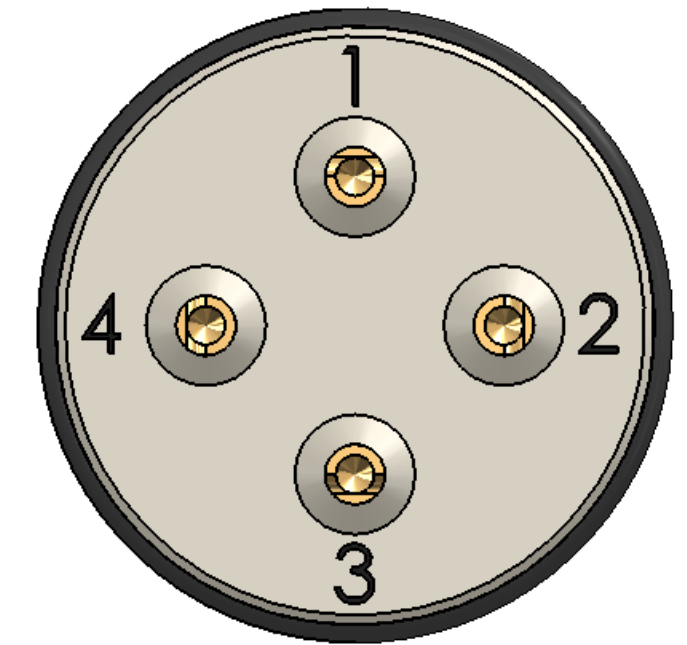
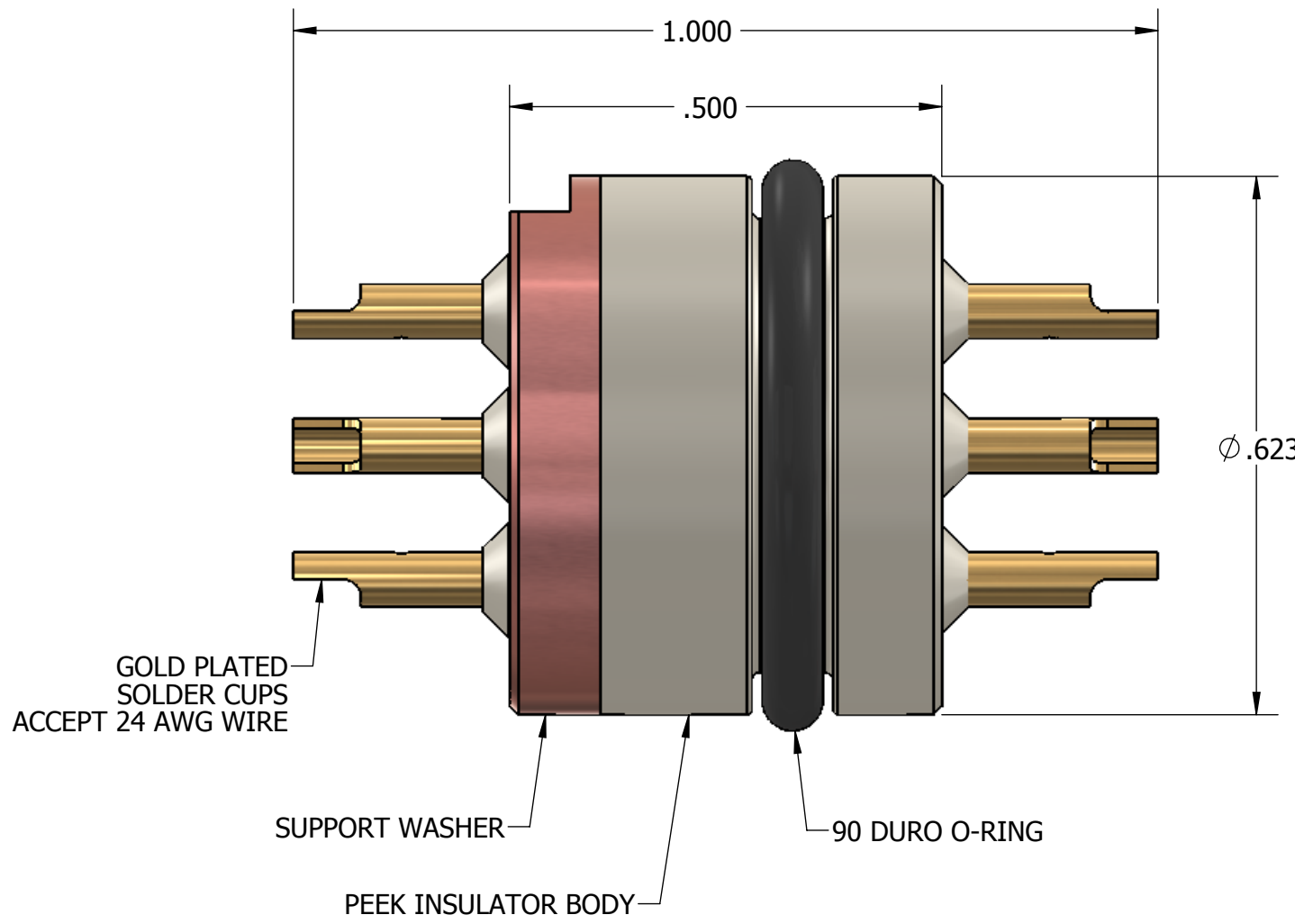
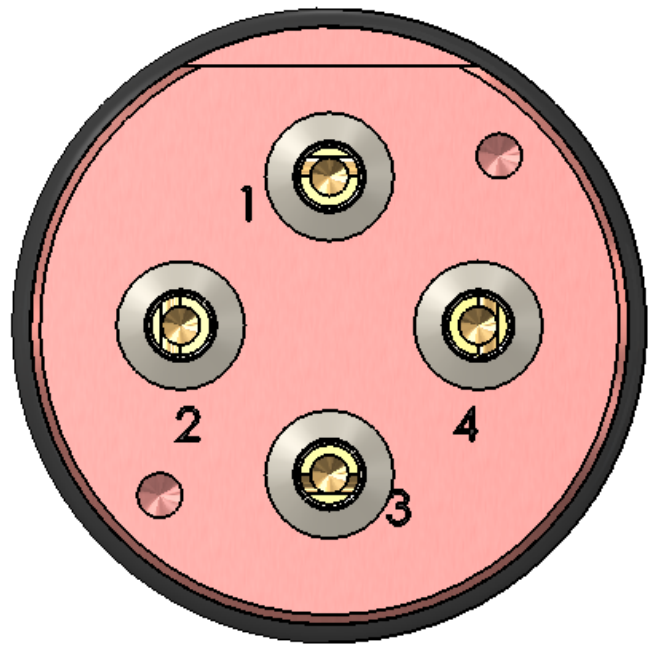


← **PRESSURE**



PROPERTIES:

1. TEMPERATURE RATING: 392°F (200°C)
CURRENT: 2 AMPS MAX
INSULATION RESISTANCE = 500M Ω @ 500VDC
2. PRESSURE RATING: 20 KSI
3. CONTACTS ARE GOLD PLATED PER CANYON SPEC: QP-ENG-7.4-001 CURRENT REVISION.



TITLE: CONNECTOR, 4 PIN BULKHEAD, 24 AWG CUP X 24 AWG CUP, .625 DIA, FLAT MOUNT

925-0240-01